

Automotive Electronics

Product Information

CJ960 – 8fold Low Side Power Switch



BOSCH
Invented for life



Customer benefits:

- ▶ 8-channel power stage
- ▶ Flexible control concept
- ▶ Enhanced diagnosis concept

Features:

Two control modes

- ▶ MSC: Synchronous control of all outputs on serial line. Supported by major μ C suppliers.
- ▶ SPI/parallel: Control by SPI (OUT1...8) or dedicated input (OUT1...6)

Multiple safety features

- ▶ Complete shutdown by RESET pin
- ▶ Permanent monitoring of MSC, shutdown when communication stops
- ▶ Complete Power Stage Disable by ABE pin
- ▶ Separate shutdown for OUT1...4

Full diagnostic functions

- ▶ Short circuit to battery
- ▶ Short circuit to ground
- ▶ Open Load
- ▶ Overtemperature warning
- ▶ Choice between shutdown and current limitation in case of overcurrent

Package

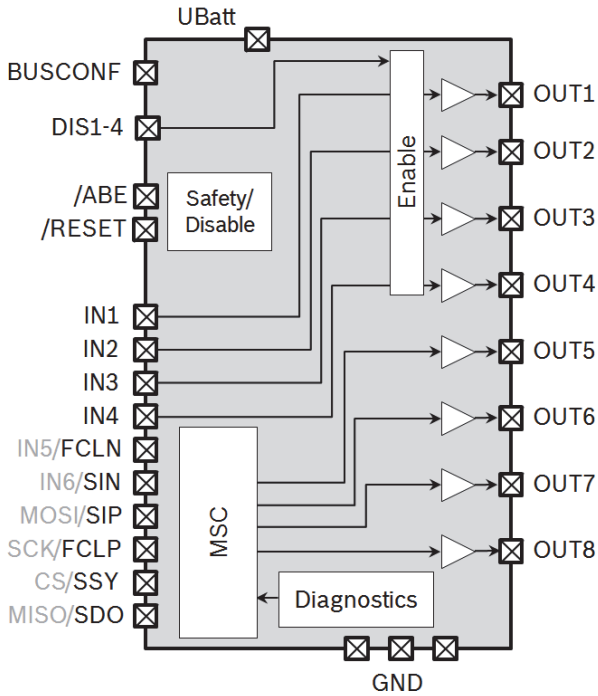
- ▶ TQFP64 with Exposed Pad

Power Stages

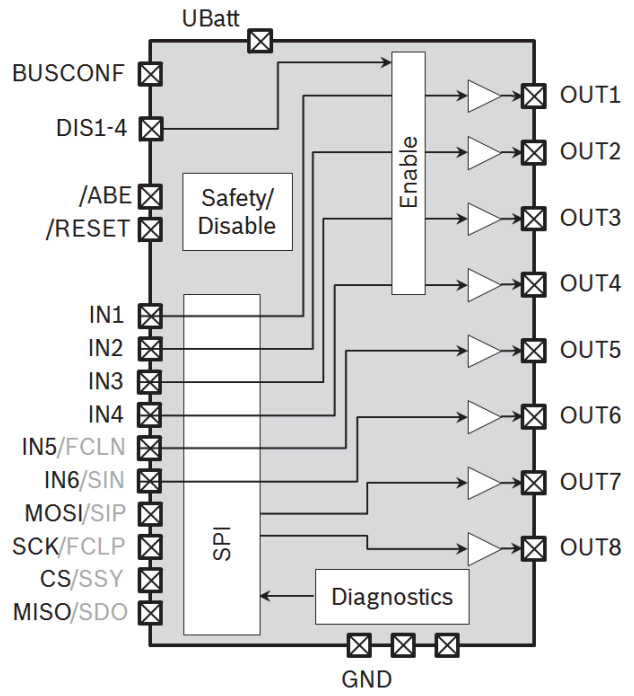
Parameter	unit	Out 1..4	Out 5..6	Out 7..8
R_{on} (25°C)	m Ω	230	700	550
I_{out} (nominal)	A	3	1	1
I_{out} (max)	A	6	2	2
Clamping energy	mJ	9	2	3
Clamping voltage	V	55	55	55
Reverse current I_{rev}	A	1.5	0.5	0.5
Configurable slew rate		x	-	-

Output control modes:

MSC Mode:



SPI Mode:



Regional sales contacts

Europe bosch.semiconductors@de.bosch.com
 USA/Canada bosch.semiconductors@us.bosch.com
 Japan bosch.semiconductors@jp.bosch.com
 China bosch.semiconductors@cn.bosch.com
 Korea bosch.semiconductors@kr.bosch.com

Robert Bosch GmbH

AE/MKC
 Postfach 13 42
 72703 Reutlingen
 Germany

www.bosch-semiconductors.com
www.bosch-sensors.com

www.bosch.com