

DAIHATSU immo emulator

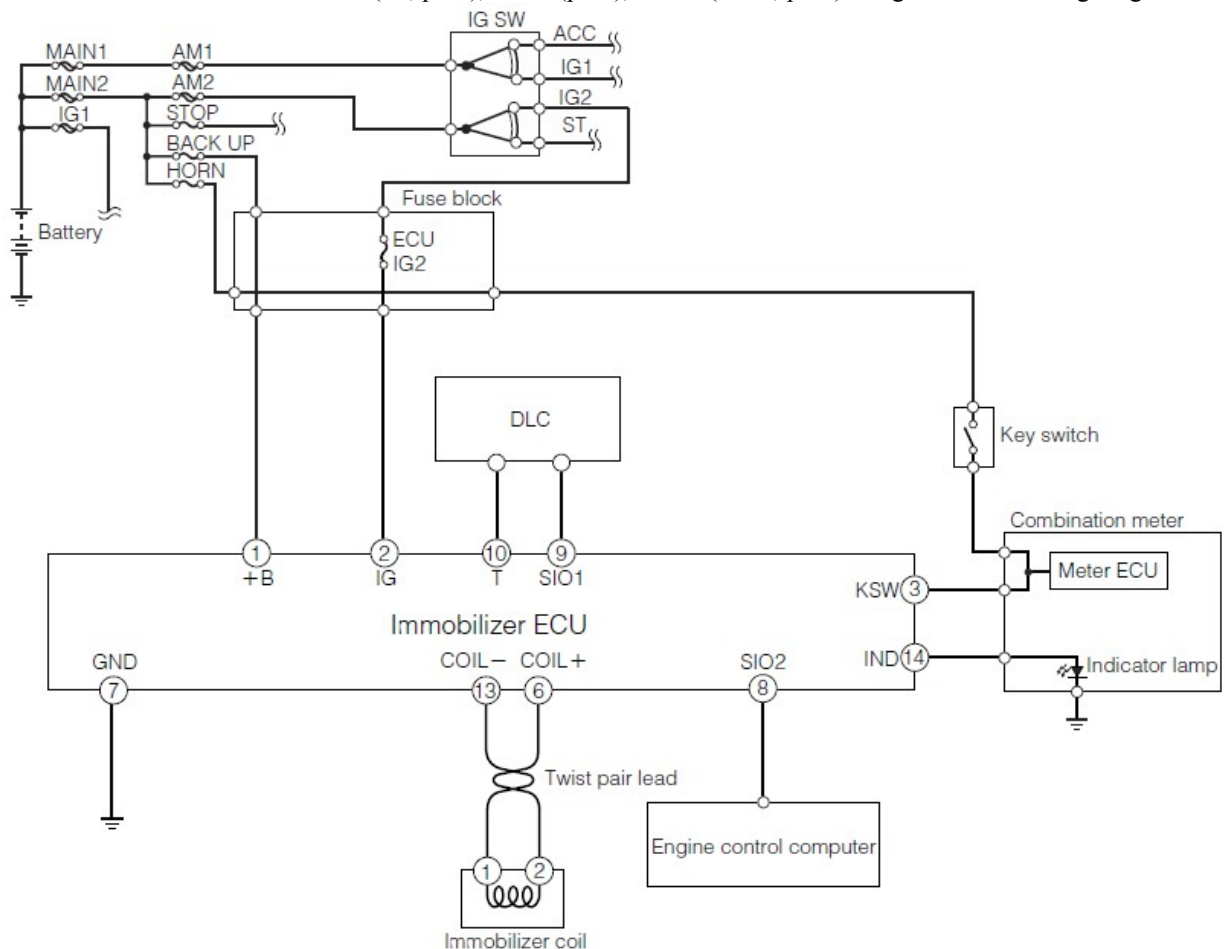
For RI-23GDH
immobilizer system

Description :

For *Daihatsu Sirion II, Terios, Materia, Cuore, Subaru Justy IV* and similar. Emulates fully working immobilizer. Plug & Play, no configuration or alignment necessary, adapts to any ECU (no virgin state necessary). MY covered: starting from 2005 and up to 2015: all cars with RI-23GDH immo system from Tokai Rika on board.

Installation on car:

Must attach 3 wires: **+12v** (IG, pin2), **GND** (pin7), **LINE** (SIO2, pin8). Original immo wiring diagram:



LED on emulator board:

- **1 short blink** at startup, always. Then must observe:
- **1 long blink**: means ECU is authorized, or **4 short blinks**: ECU is not authorized. This may happen when codes stored into ECU doesn't match codes stored into emulator (first run). Switch on ignition, wait some seconds, turn ignition off, **wait until ECU main relay switches off**. Repeat this procedure 3...4 times until long blink occurs at IGN ON first time. Again – turn off, wait for main relay OFF (15..20 seconds) – it is very important at this step. ECU and EMULATOR are both aligned now, car is ready to start.
- If no activity after 1st short blink – most likely there are communication problems with ECU.