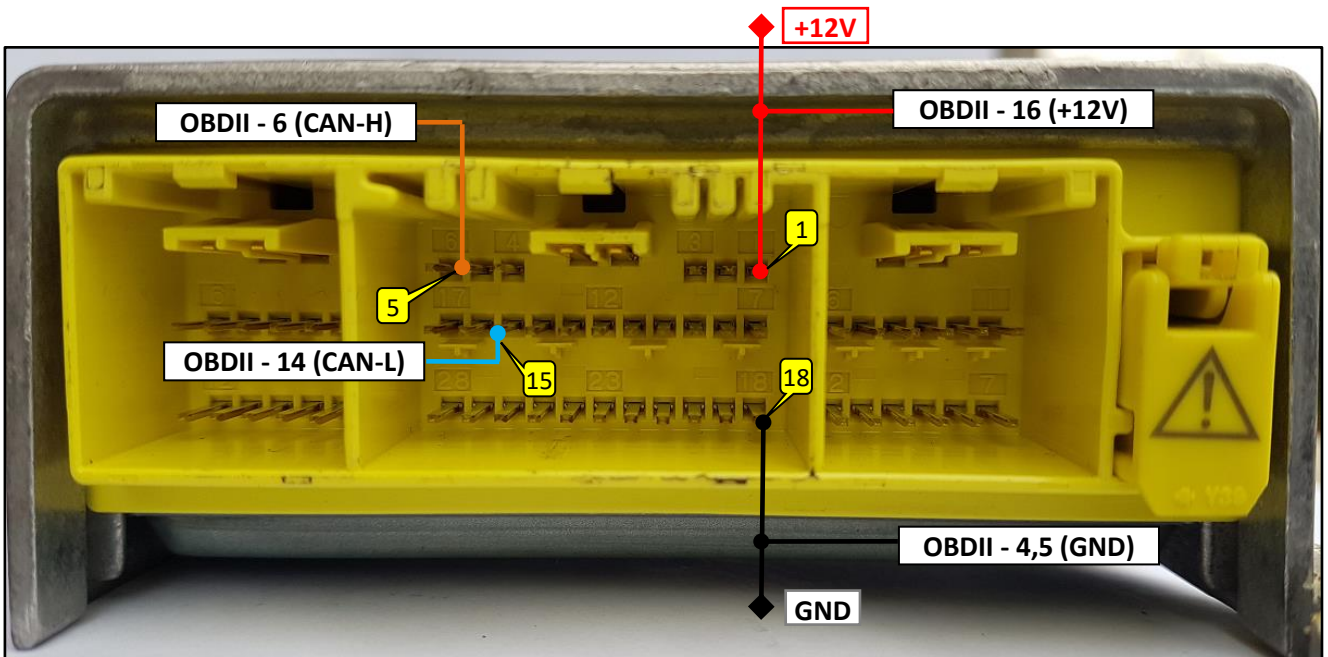
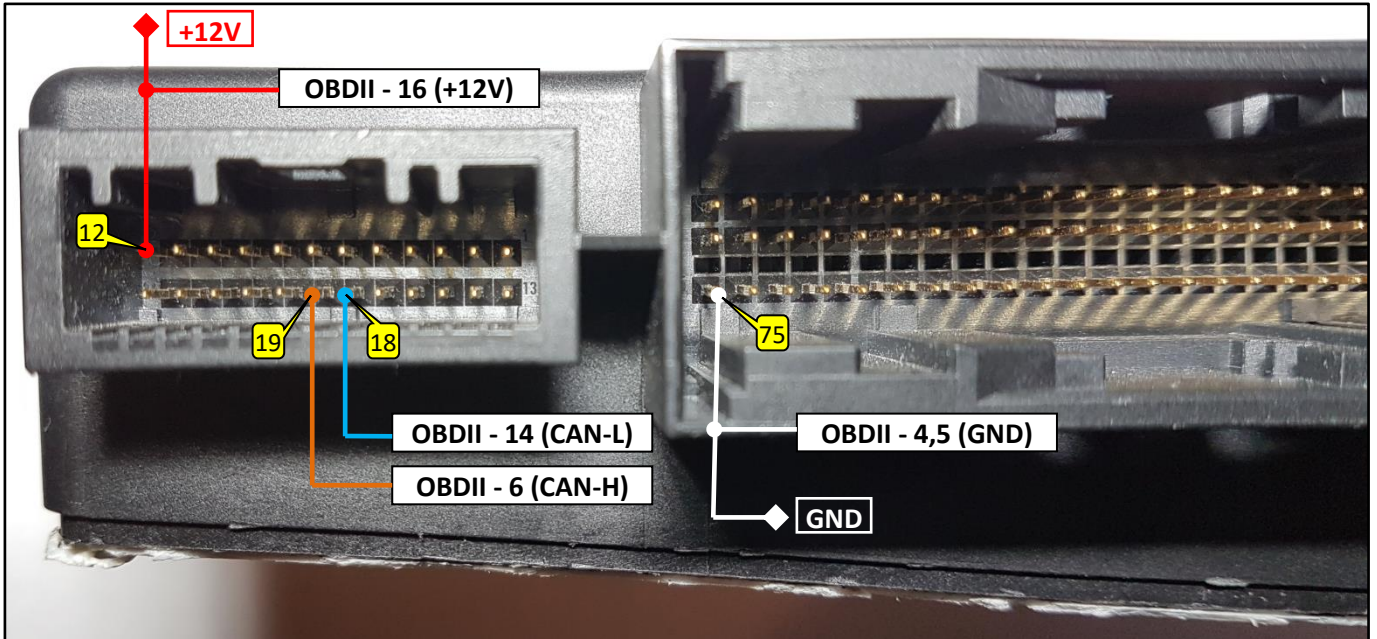


**KOLEOS**  
**AIRBAG COMPUTER (AUTOLIV)**



MEGANE III / SCENIC III / FLUENCE / LATITUDE / LAGUNA III  
AIRBAG COMPUTER



LAGUNA III



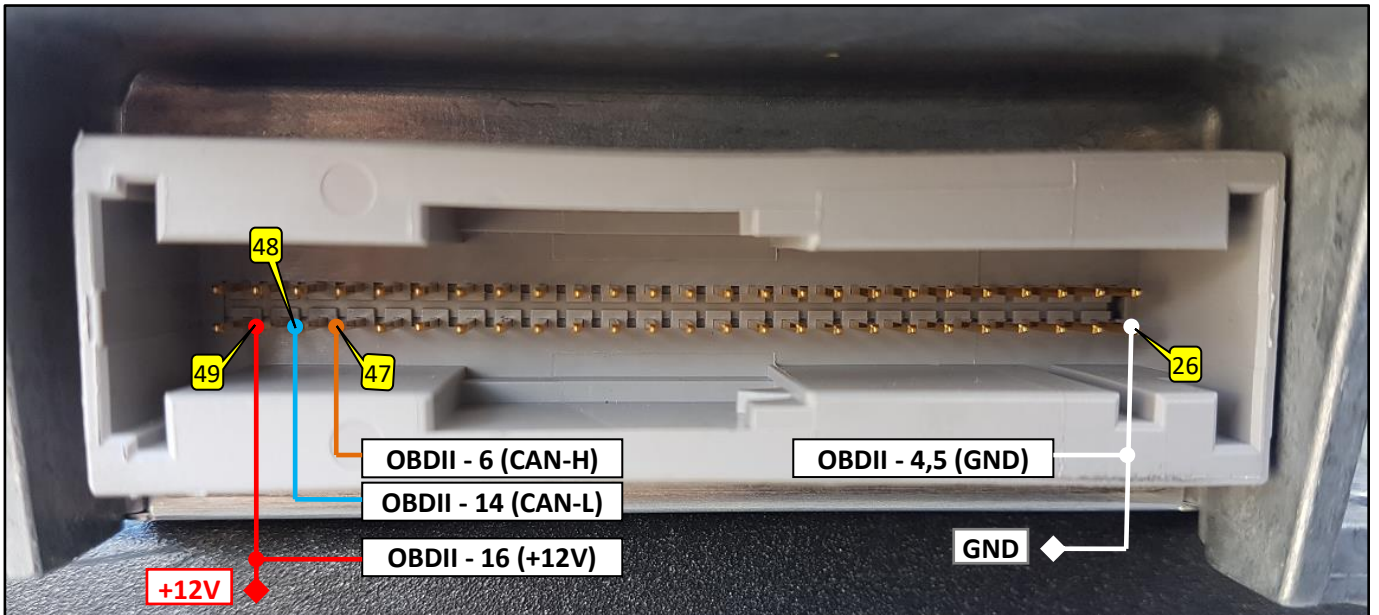
MEGANE III, SCENIC III, FLUENCE, LATITUDE

**NOTE:** Connect 120 Ohm resistor between CAN-L and CAN-H lines to diagnose AIRBAG module using CAN CLIP in the “on the bench” connection.

This resistor is not needed when connecting to RENAULT ECU TOOL.



## TWINGO II (X44) / KANGOO II (X61) AIRBAG COMPUTER

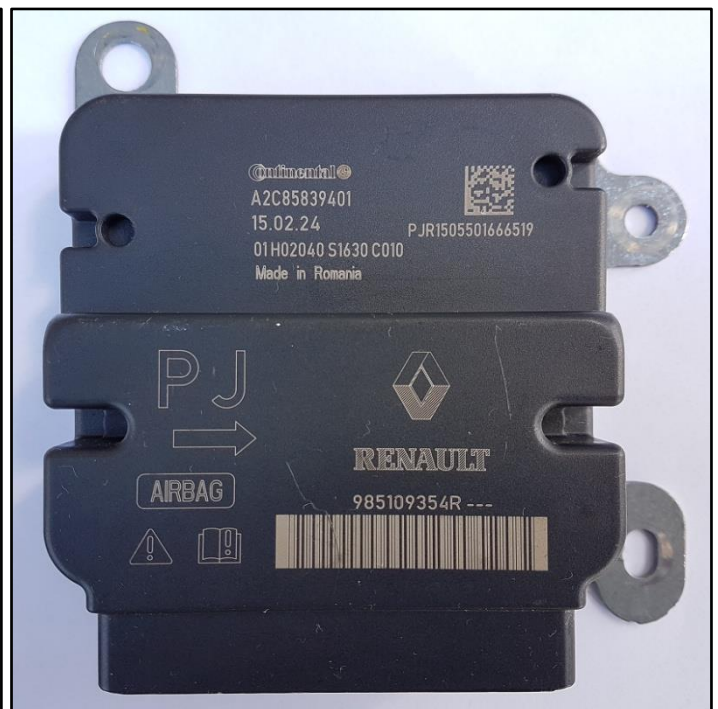
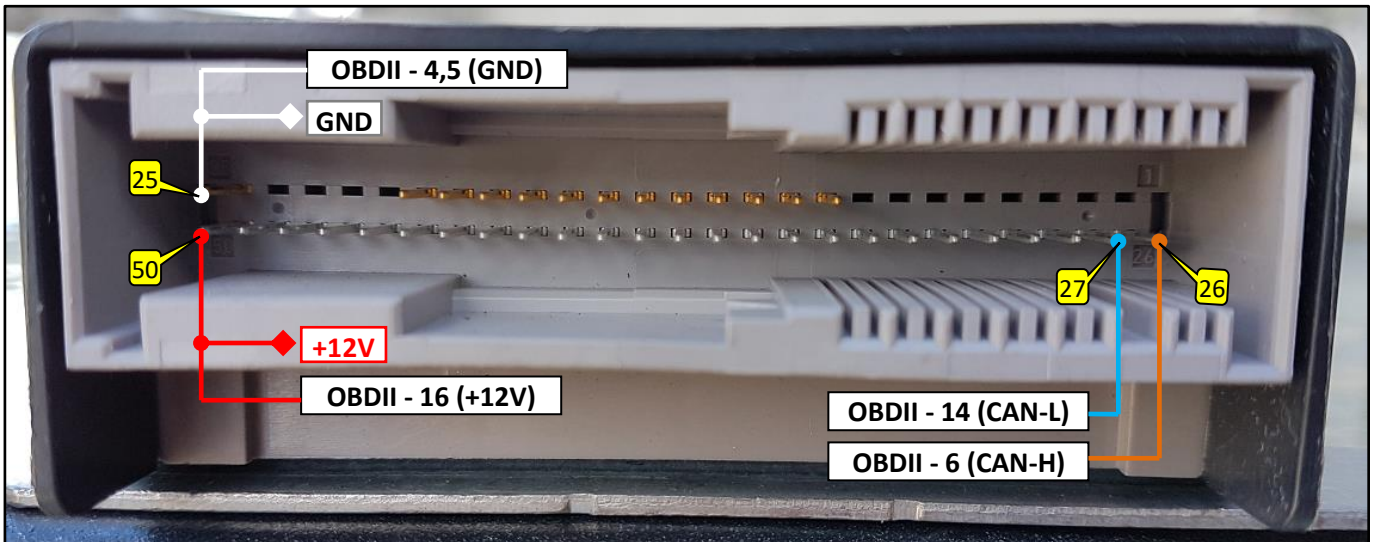


CLIO IV (X98) / ZOE / CAPTUR / NEW TRAFIC / DACIA LOGAN / LODGY, etc.

CONTINENTAL AIRBAG COMPUTER WITH MCU **SPC560**

CLIO IV Ph2 / CAPTUR Ph2 (06.2017+) CONTINENTAL AIRBAG COMPUTER

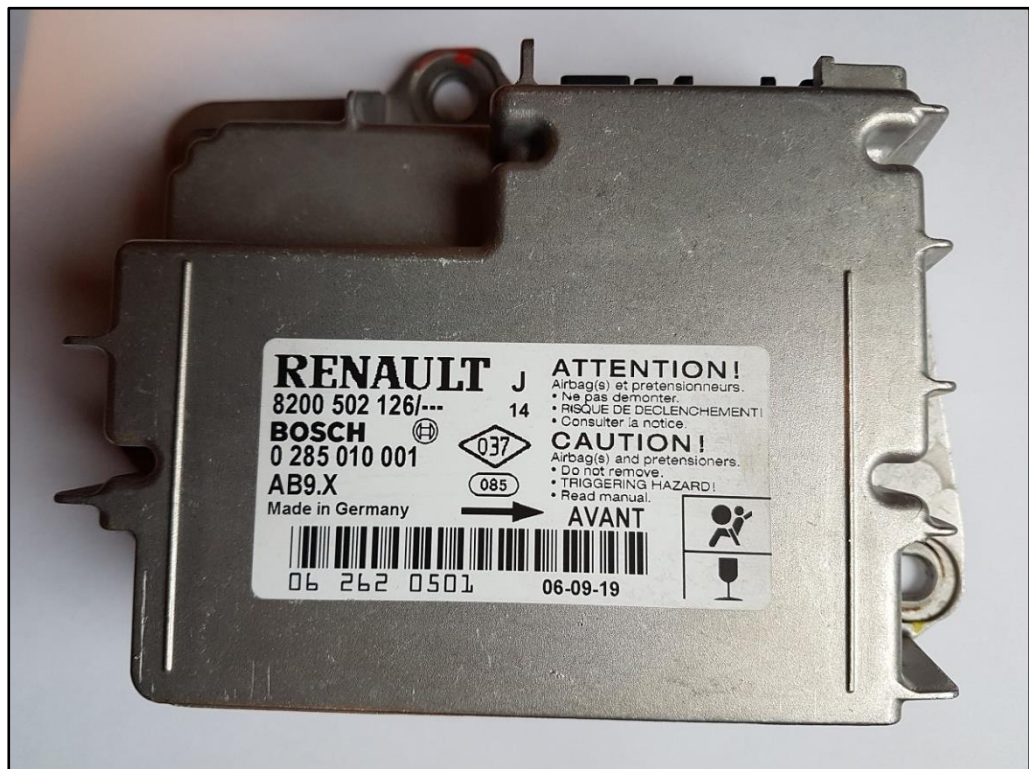
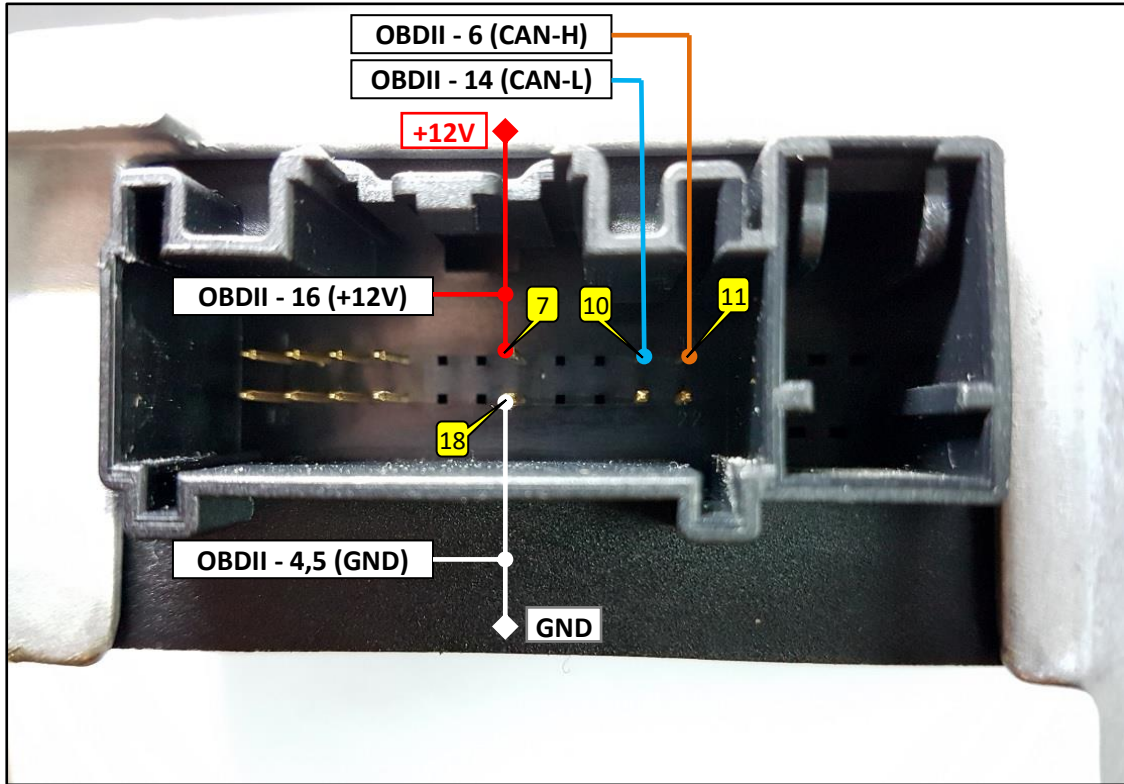
P/N: 985100475R/985101180R WITH **R7F7010133**





MODUS Ph1 (->2007) / CLIO III Ph1 (->2008)

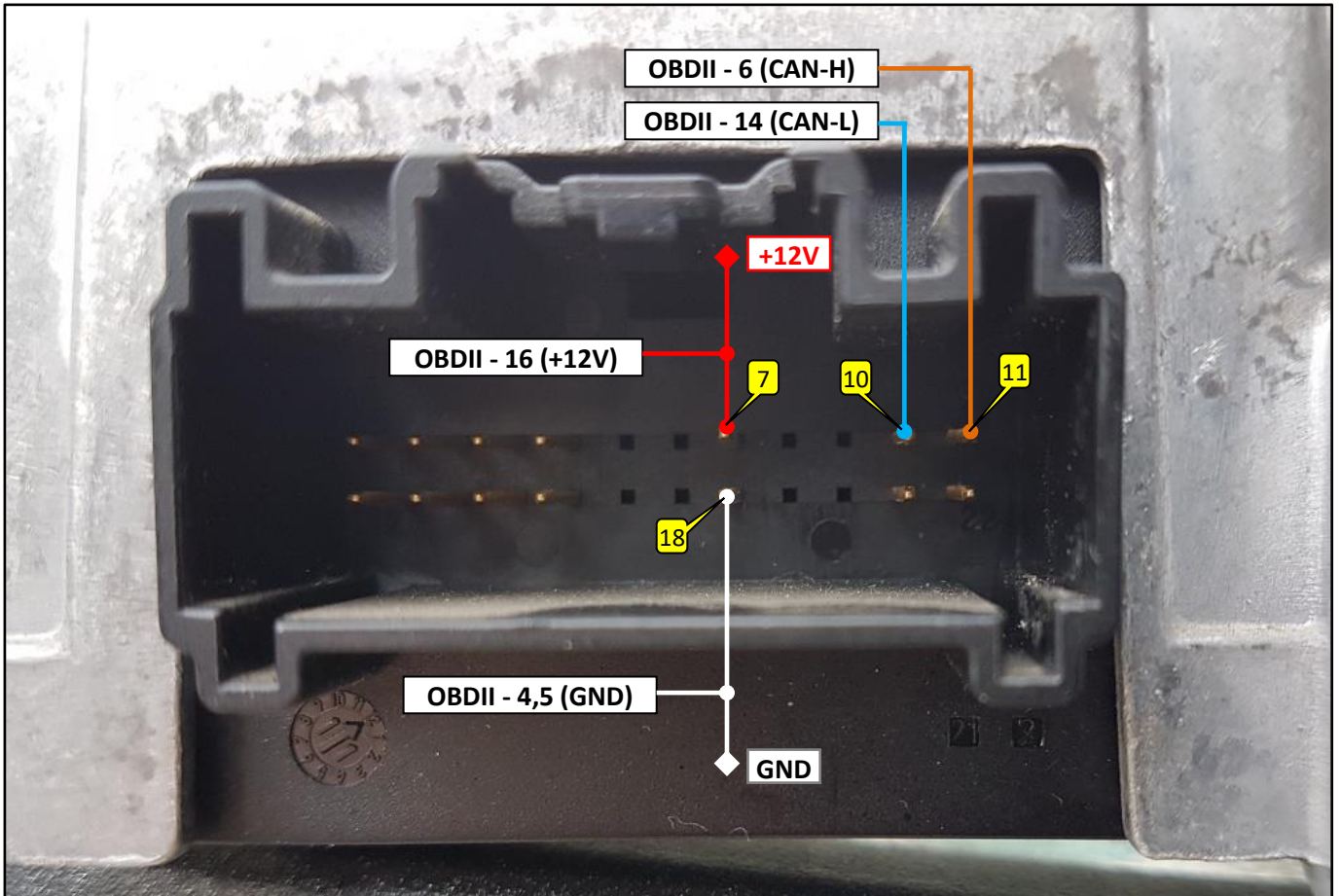
BOSCH AB9.X



MASTER III (2010+) / OPEL MOVANO-B (2010+)

MODUS Ph2 (2007+) / CLIO III Ph2 (2008+)

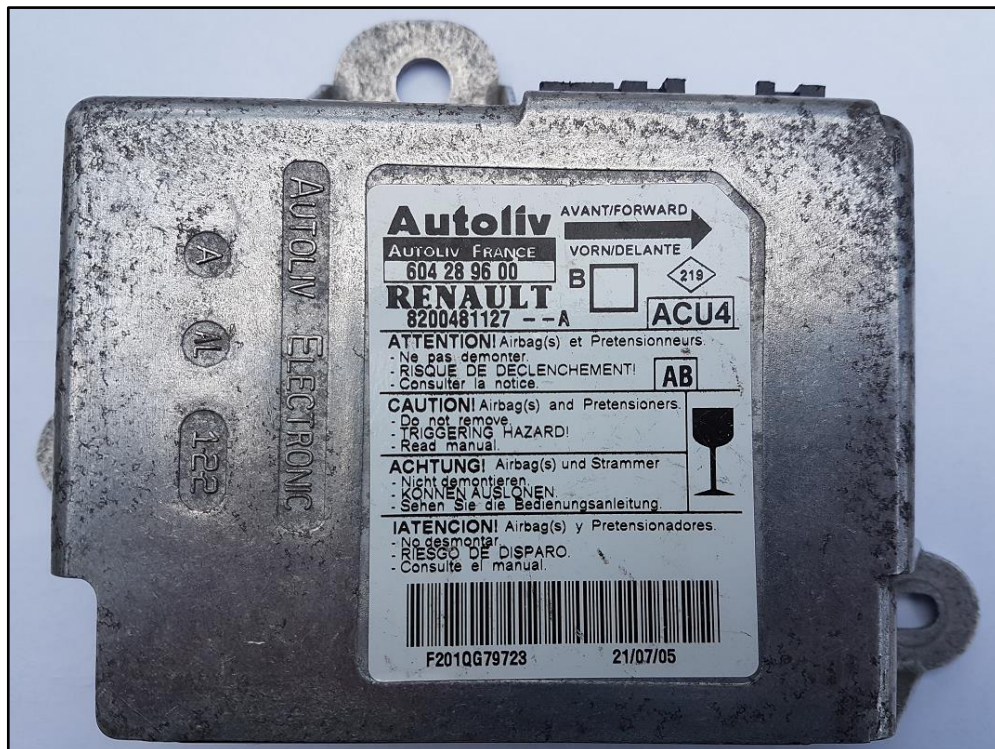
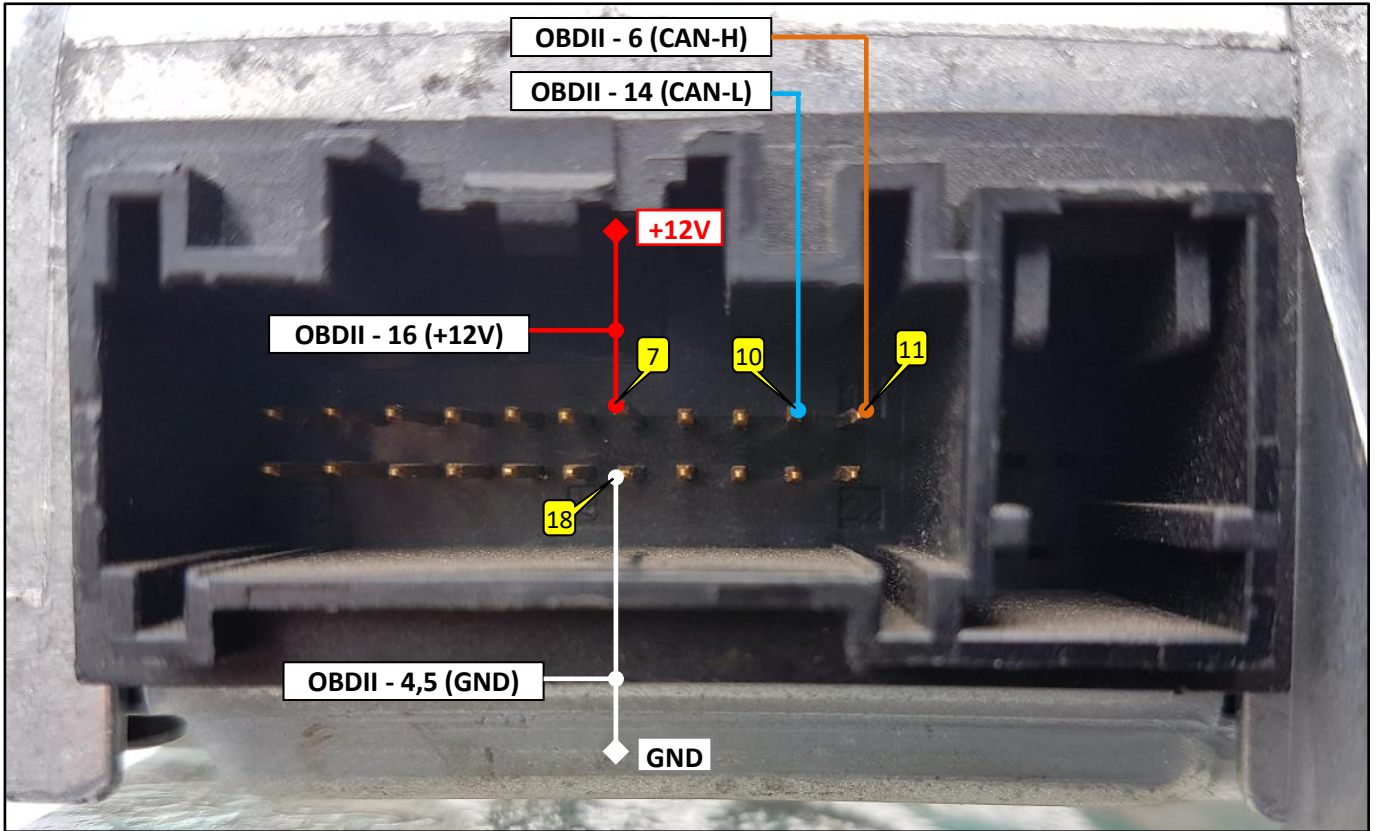
AUTOLIV AIRBAG COMPUTER RC5\_P1\_P2



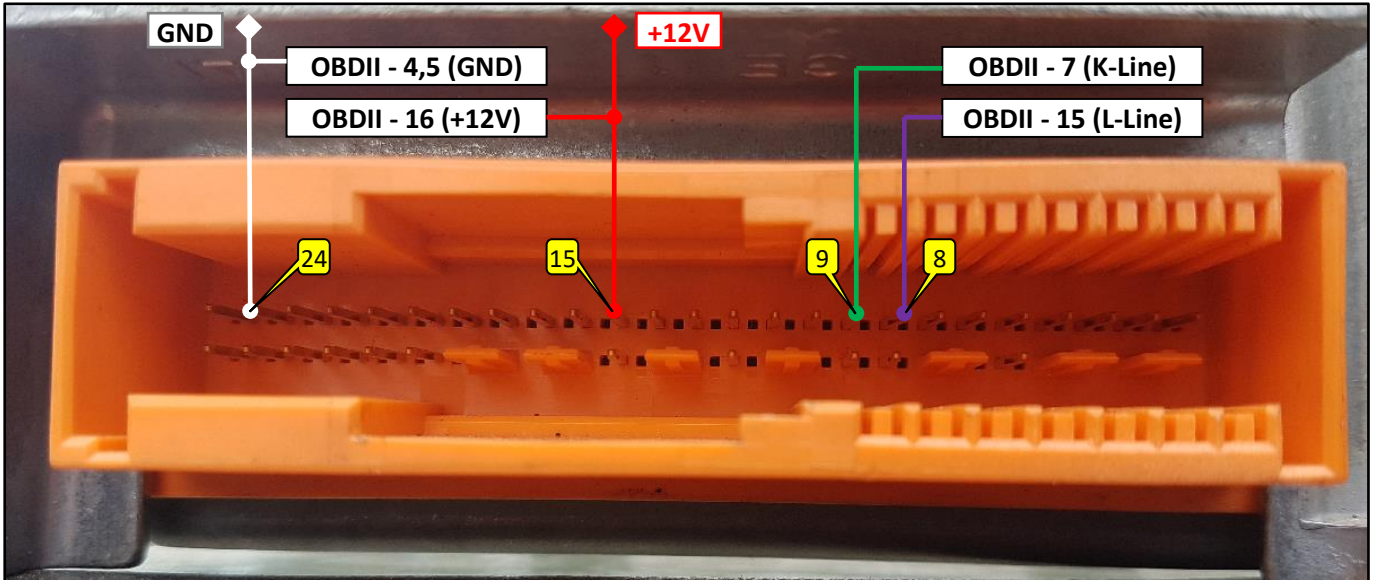


# MEGANE II / SCENIC II (2002-2009)

## AUTOLIV AIRBAG COMPUTER ACU4



## SPACE III SIEMENS SDM AIRBAG COMPUTER



**NOTE:** Please hold airbag control module **HORIZONTALLY** when connecting on-the-bench.

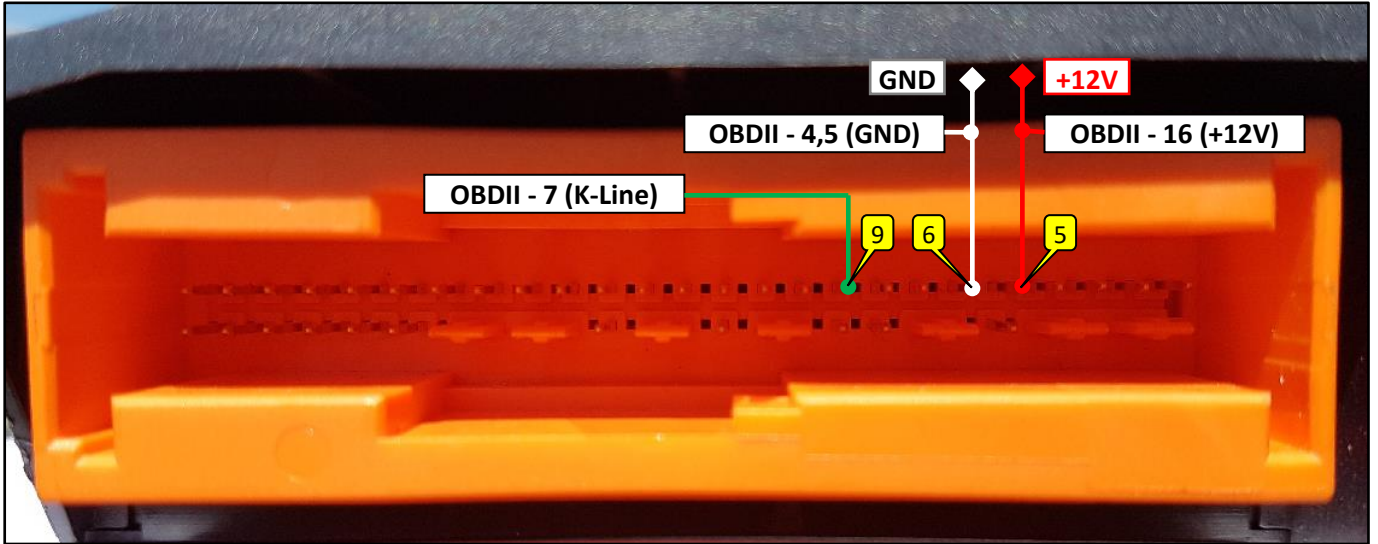
Internal Computer Fault will be stored if control module is positioned with connector facing up!





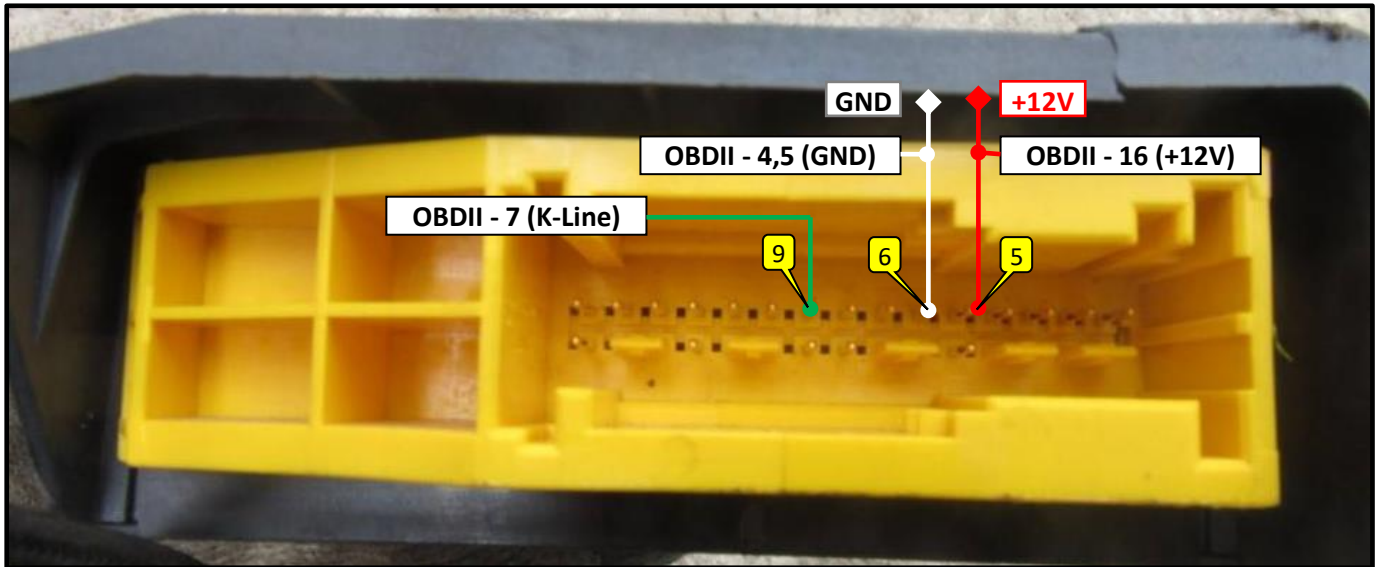
LOGAN (X90) / DUSTER (H79) / SANDERO

TEMIC-CONTINENTAL AIRBAG COMPUTER (WITH ORANGE CONNECTOR)



LOGAN (X90) / DUSTER (H79) / SANDERO

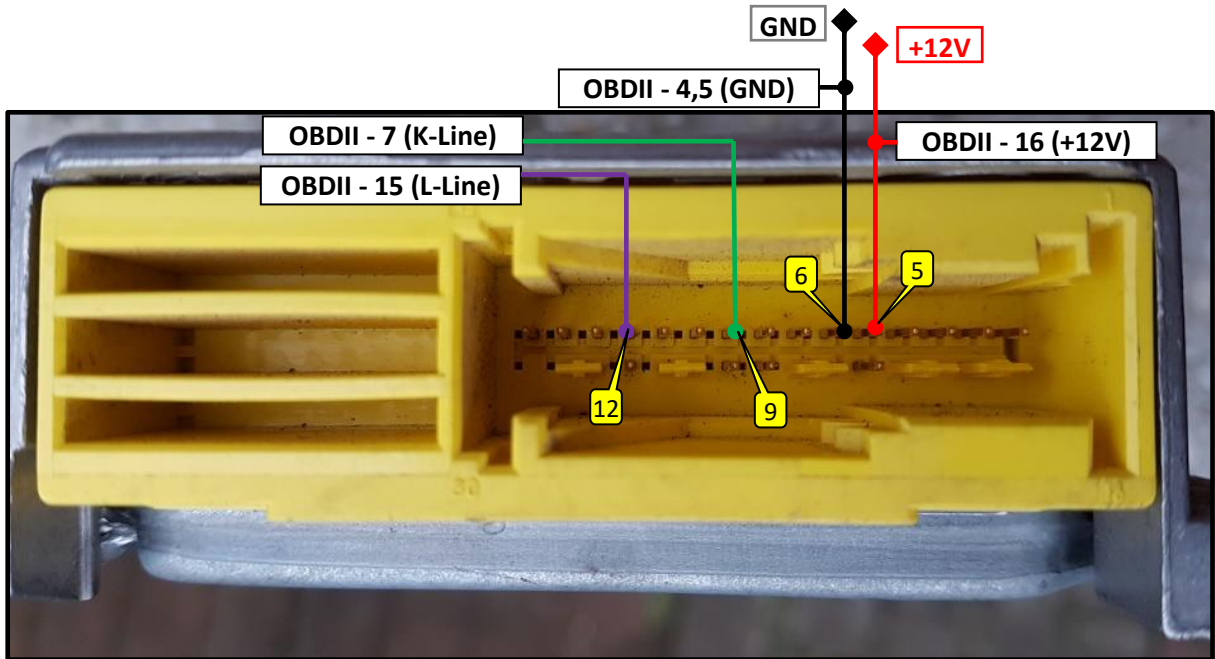
TEMIC-CONTINENTAL AIRBAG COMPUTER (WITH YELLOW CONNECTOR)





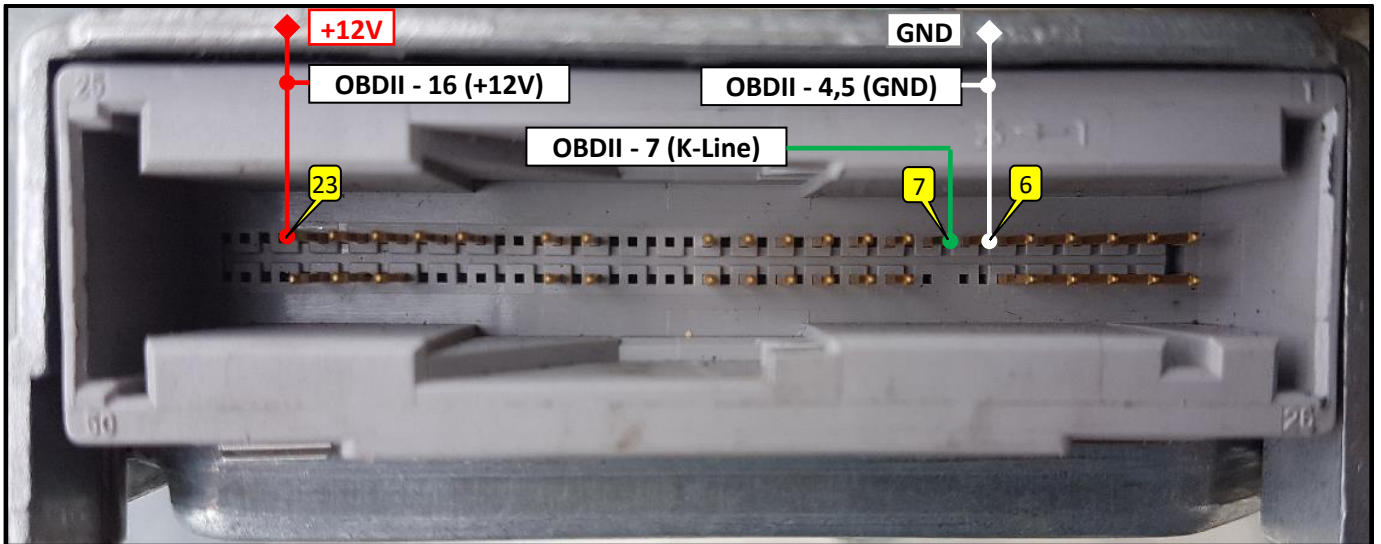
# CLIO II Ph1 (1998-2000) / LOGAN (2004-2008)

## BOSCH AIRBAG COMPUTER (WITH YELLOW CONNECTOR)



## CLIO II PH2/3/4 (2001-2004)

### BOSCH AIRBAG COMPUTER AB8.X (WITH GREY CONNECTOR)





KADJAR / TALISMAN 2015+  
ESPACE V / MEGANE IV / SCENIC IV  
AUTOLIV AIRBAG COMPUTER RC7 (MCU XC2336)

