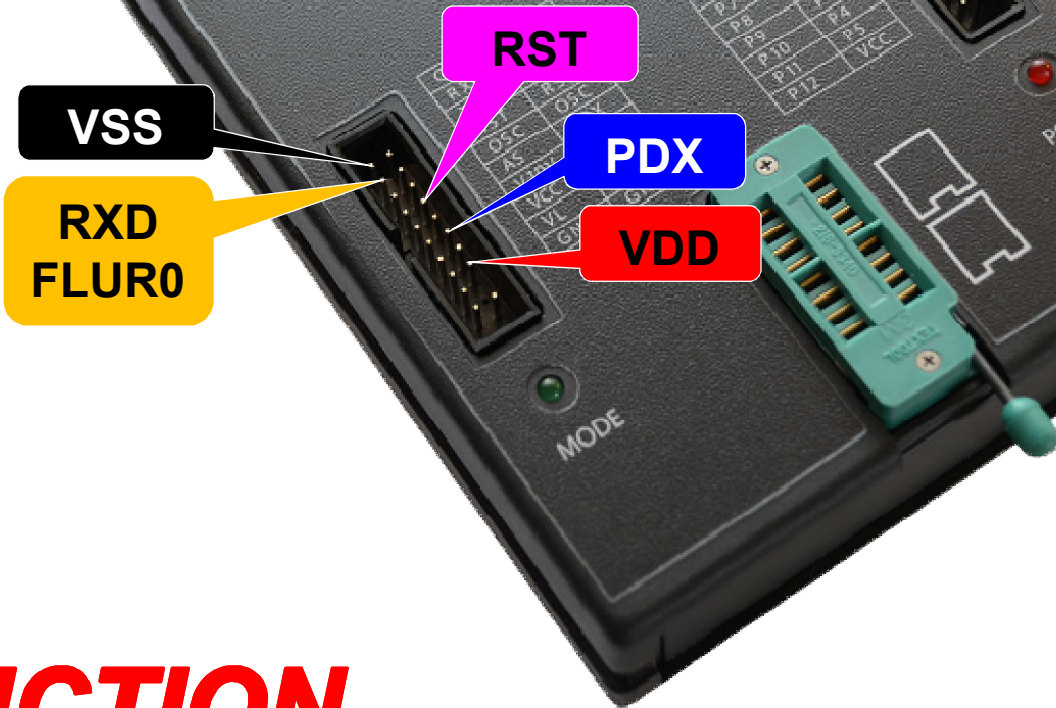


Connect MCU via FLUR0RTX [V850E2F.hpx]

V850E2F.pdf
Version 1.5

<http://pavel-pervomaysk.com>



INTRODUCTION



- Read
- Compare
- Write
- Erase
- Security SET
- MCU info
- ID Tag Editor

	00	01	02	03	04	05
000000	FF	FF	FF	FF	FF	FF
000010	FF	FF	FF	FF	FF	FF
000020	FF	FF	FF	FF	FF	FF
000030	FF	FF	FF	FF	FF	FF
000040	FF	FF	FF	FF	FF	FF
000050	FF	FF	FF	FF	FF	FF
000060	FF	FF	FF	FF	FF	FF
000070	FF	FF	FF	FF	FF	FF
000080	FF	FF	FF	FF	FF	FF
000090	FF	FF	FF	FF	FF	FF
0000A0	FF	FF	FF	FF	FF	FF
0000B0	FF	FF	FF	FF	FF	FF
0000C0	FF	FF	FF	FF	FF	FF
0000D0	FF	FF	FF	FF	FF	FF
0000E0	FF	FF	FF	FF	FF	FF
0000F0	FF	FF	FF	FF	FF	FF
000100	FF	FF	FF	FF	FF	FF
000110	FF	FF	FF	FF	FF	FF
000120	FF	FF	FF	FF	FF	FF
000130	FF	FF	FF	FF	FF	FF
000140	FF	FF	FF	FF	FF	FF
000150	FF	FF	FF	FF	FF	FF
000160	FF	FF	FF	FF	FF	FF
000170	FF	FF	FF	FF	FF	FF
000180	FF	FF	FF	FF	FF	FF
000190	FF	FF	FF	FF	FF	FF
0001A0	FF	FF	FF	FF	FF	FF
0001B0	FF	FF	FF	FF	FF	FF
0001C0	FF	FF	FF	FF	FF	FF
0001D0	FF	FF	FF	FF	FF	FF
0001E0	FF	FF	FF	FF	FF	FF
0001F0	FF	FF	FF	FF	FF	FF
000200	FF	FF	FF	FF	FF	FF
000210	FF	FF	FF	FF	FF	FF
000220	FF	FF	FF	FF	FF	FF

Select Frequency

Device Options

Module Name: CarRadio\V850E

Voltage: 5.00 V

Area: Code Flash

Reset time (ms): 200

OSC (kHz): 4000

Boot Baudrate: 4000

OK Cancel

Log

http://pavel-pervomaysk.com

V850E2F.hpx

uPD70F3526

Version 1.5

MCU AREA

VCC



- Read
- Compare
- Write
- Erase
- Security SET
- MCU info
- ID Tag Editor

	00	01	02	03	04	05	06	07	08	09	0A	0B	0C	0D	0E	0F
000000	FF	FF	FF	FF	FF	FF	FF	FF	FF	FF	FF	FF	FF	FF	FF	FF
000010	FF	FF	FF	FF	FF	FF	FF	FF	FF	FF	FF	FF	FF	FF	FF	FF
000020	FF	FF	FF	FF	FF	FF	FF	FF	FF	FF	FF	FF	FF	FF	FF	FF
000030	FF	FF	FF	FF	FF	FF	FF	FF	FF	FF	FF	FF	FF	FF	FF	FF
000040	FF	FF	FF	FF	FF	FF	FF	FF	FF	FF	FF	FF	FF	FF	FF	FF
000050	FF	FF	FF	FF	FF	FF	FF	FF	FF	FF	FF	FF	FF	FF	FF	FF
000060	FF	FF	FF	FF	FF	FF	FF	FF	FF	FF	FF	FF	FF	FF	FF	FF
000070	FF	FF	FF	FF	FF	FF	FF	FF	FF	FF	FF	FF	FF	FF	FF	FF
000080	FF	FF	FF	FF	FF	FF	FF	FF	FF	FF	FF	FF	FF	FF	FF	FF
000090	FF	FF	FF	FF	FF	FF	FF	FF	FF	FF	FF	FF	FF	FF	FF	FF
0000A0	FF	FF	FF	FF	FF	FF	FF	FF	FF	FF	FF	FF	FF	FF	FF	FF
0000B0	FF	FF	FF	FF	FF	FF	FF	FF	FF	FF	FF	FF	FF	FF	FF	FF
0000C0	FF	FF	FF	FF	FF	FF	FF	FF	FF	FF	FF	FF	FF	FF	FF	FF
0000D0	FF	FF	FF	FF	FF	FF	FF	FF	FF	FF	FF	FF	FF	FF	FF	FF

Log

MCU info
 Silicon signature: 11 00 18 10 00 01 44 37 30 46 33 35 32 36 20 20 FF FF 2F C
 Connected: D70F3526
 Code flash size: 3072 KB

Signature

HPX type

PRESS

Orange

V850E2F.hpx / Version 1.5

Device name: UPD70F3526
 Code flash end addr: 002FFFFFF
 Data flash end addr: 02007FFF

Code flash size: 3072 KB
 Data flash size: 32 KB + ID Tag size: 32 KB

OK

MCU name

FLASH size

DATA size

<http://pavel-pervomajsk.com>

Mcu info – Get NEC silicon signature



ERROR

- Read
- Compare
- Write
- Erase
- Security SET
- MCU info
- ID Tag Editor

	00	01	02	03	04	05	06	07	08	09	0A	0B	0C	0D	0E	0F	
0000	FF	FF	FF	FF	FF	FF	FF	FF	FF	FF	FF	FF	FF	FF	FF	FF	яяяяяяяяяяяяяяяя
0001	FF	FF	FF	FF	FF	FF	FF	FF	FF	FF	FF	FF	FF	FF	FF	FF	яяяяяяяяяяяяяяяя
0002	FF	FF	FF	FF	FF	FF	FF	FF	FF	FF	FF	FF	FF	FF	FF	FF	яяяяяяяяяяяяяяяя
0003	FF	FF	FF	FF	FF	FF	FF	FF	FF	FF	FF	FF	FF	FF	FF	FF	яяяяяяяяяяяяяяяя
0004	FF	FF	FF	FF	FF	FF	FF	FF	FF	FF	FF	FF	FF	FF	FF	FF	яяяяяяяяяяяяяяяя
0005	FF	FF	FF	FF	FF	FF	FF	FF	FF	FF	FF	FF	FF	FF	FF	FF	яяяяяяяяяяяяяяяя
0006	FF	FF	FF	FF	FF	FF	FF	FF	FF	FF	FF	FF	FF	FF	FF	FF	яяяяяяяяяяяяяяяя
0007	FF	FF	FF	FF	FF	FF	FF	FF	FF	FF	FF	FF	FF	FF	FF	FF	яяяяяяяяяяяяяяяя
0008	FF	FF	FF	FF	FF	FF	FF	FF	FF	FF	FF	FF	FF	FF	FF	FF	яяяяяяяяяяяяяяяя
0009	FF	FF	FF	FF	FF	FF	FF	FF	FF	FF	FF	FF	FF	FF	FF	FF	яяяяяяяяяяяяяяяя
000A	FF	FF	FF	FF	FF	FF	FF	FF	FF	FF	FF	FF	FF	FF	FF	FF	яяяяяяяяяяяяяяяя
000B	FF	FF	FF	FF	FF	FF	FF	FF	FF	FF	FF	FF	FF	FF	FF	FF	яяяяяяяяяяяяяяяя
000C	FF	FF	FF	FF	FF	FF	FF	FF	FF	FF	FF	FF	FF	FF	FF	FF	яяяяяяяяяяяяяяяя
000D	FF	FF	FF	FF	FF	FF	FF	FF	FF	FF	FF	FF	FF	FF	FF	FF	яяяяяяяяяяяяяяяя
000E	FF	FF	FF	FF	FF	FF	FF	FF	FF	FF	FF	FF	FF	FF	FF	FF	яяяяяяяяяяяяяяяя
000F	FF	FF	FF	FF	FF	FF	FF	FF	FF	FF	FF	FF	FF	FF	FF	FF	яяяяяяяяяяяяяяяя
0010	FF	FF	FF	FF	FF	FF	FF	FF	FF	FF	FF	FF	FF	FF	FF	FF	яяяяяяяяяяяяяяяя
0011	FF	FF	FF	FF	FF	FF	FF	FF	FF	FF	FF	FF	FF	FF	FF	FF	яяяяяяяяяяяяяяяя
0012	FF	FF	FF	FF	FF	FF	FF	FF	FF	FF	FF	FF	FF	FF	FF	FF	яяяяяяяяяяяяяяяя
0013	FF	FF	FF	FF	FF	FF	FF	FF	FF	FF	FF	FF	FF	FF	FF	FF	яяяяяяяяяяяяяяяя
0014	FF	FF	FF	FF	FF	FF	FF	FF	FF	FF	FF	FF	FF	FF	FF	FF	яяяяяяяяяяяяяяяя
0015	FF	FF	FF	FF	FF	FF	FF	FF	FF	FF	FF	FF	FF	FF	FF	FF	яяяяяяяяяяяяяяяя

Orange



MCU OSC Frequency Set Error, setting value: 8000 kHz

Select Device options OSC (kHz) [4000...16000]

Or connect OSC wire directly from Orange 5 [See the V850E2.pdf help file]

OK

Ошибка частоты тактирования !

Текущая частота 4000 кГц

Установите значение в пределах 2500 ... 16000 кГц

Или подключите вывод OSC к ноге X1.

Схема подключения прикреплена ниже.

CODE
FLASH



READ

- Read
- Compare
- Write
- Erase
- Security SET
- MCU info
- ID Tag Editor

	00	01	02	03	04	05	06	07	08	09	0A	0B	0C	0D	0E	0F
0000	AE	E6	46	3A	FF	FF	FF	FF	A4	4D	AF	A4	FF	FF	FF	FF
0001	46	C7	A5	1C	FF	FF	FF	FF	E1	E9	E6	E4	FF	FF	FF	FF
0002	B8	6C	C7	82	FF	FF	FF	FF	80	AF	AD	42	FF	FF	FF	FF
0003	E4	32	96	B2	FF	FF	FF	FF	02	1C	8E	24	FF	FF	FF	FF
0004	EB	B6	3A	2F	FF	FF	FF	FF	27	EE	51	2E	FF	FF	FF	FF
0005	2F	D6	1E	C0	FF	FF	FF	FF	F1	22	00	46	FF	FF	FF	FF
0006	50	AD	EA	68	FF	FF	FF	FF	A1	F4	E3	91	FF	FF	FF	FF
0007	30	99	87	6E	FF	FF	FF	FF	B8	E1	84	73	FF	FF	FF	FF
0008	EE	37	1E	56	FF	FF	FF	FF	F7	A7	AB	92	FF	FF	FF	FF
0009	ED	64	17	E6	FF	FF	FF	FF	5F	43	62	D3	FF	FF	FF	FF
000A	CE	3D	1D	21	FF	FF	FF	FF	30	F1	F1	5A	FF	FF	FF	FF
000B	70	20	18	4D	FF	FF	FF	FF	EC	2E	F1	8D	FF	FF	FF	FF
000C	F6	A8	30	F0												
000D	C1	B3	D0	CE												
000E	70	5E	9F	EB												
000F	E6	07	88	8E												
0010	44	49	B2	3C												
0011	E9	02	87	B8												
0012	78	50	B1	08												
0013	D1	8E	17	72												
0014	16	5A	E3	7A												
0015	A7	92	7E	E4												
0016	25	51	91	B7												
0017	72	F5	05	38												
0018	AE	1C	03	EA												
0019	3A	A1	F4	93												
001A	B8	A3	81	39	FF	FF	FF	FF	AF	18	8E	45	FF	FF	FF	FF
001B	08	7D	93	1F	FF	FF	FF	FF	A0	B6	5E	DA	FF	FF	FF	FF
001C	4B	CE	53	CC	FF	FF	FF	FF	4E	71	E8	10	FF	FF	FF	FF
001D	E3	71	29	04	FF	FF	FF	FF	B8	45	36	CC	FF	FF	FF	FF
001E	6F	85	C0	CC	FF	FF	FF	FF	20	6F	90	32	FF	FF	FF	FF
001F	D3	65	00	6A	FF	FF	FF	FF	07	6D	7F	A7	FF	FF	FF	FF
0020	2D	B0	11	61	FF	FF	FF	FF	2D	FB	CD	D2	FF	FF	FF	FF
0021	E0	41	5E	78	FF	FF	FF	FF	95	17	83	96	FF	FF	FF	FF



Log

MCU info

MCU info

Silicon signature: 11 00 18 10 00 01 44 37 30 46 33 35 32 36 20 20 FF FF 2F C

Connected: D70F3526

Code flash size: 3072 KB

Read Data Flash uPD70F3526

Silicon signature: 11 00 18 10 00 01 44 37 30 46 33 35 32 36 20 20 FF FF 2F C

Connected: D70F3526

Data flash size: 32 KB + ID Tag size: 32 KB

Read Data Flash uPD70F3526

Silicon signature: 11 00 18 10 00 01 44 37 30 46 33 35 32 36 20 20
FF FF 2F 00 FF 7F 00 02 04 00 00 25 03

Connected: D70F3526

Data flash size: 32 KB + ID Tag size: 32 KB

Cancel

<http://pavel-pervomajsk.com>

DATA FLASH



- Read
- Compare
- Write
- Erase
- Security SET
- MCU info
- ID Tag Editor

	00	01	02	03	04	05	06	07	08	09	0A	0B	0C	0D	0E	0F
00000	07	10	1E	22	FF	FF	FF	FF	F4	12	E8	81	FF	FF	FF	FF
00010	7B	E0	0A	8D	FF	FF	FF	FF	B4	E5	33	57	FF	FF	FF	FF
00020	4A	7B	E8	51	FF	FF	FF	FF	FC	F2	61	D4	FF	FF	FF	FF
00030	1D	CF	8A	9A	FF	FF	FF	FF	14	5D	03	44	FF	FF	FF	FF
00040	DD	2B	A0	D6	FF	FF	FF	FF	86	8C	EA	36	FF	FF	FF	FF
00050	B3	15	9C	B0	FF	FF	FF	FF	1B	23	27	75	FF	FF	FF	FF
00060	08	53	2E	17	FF	FF	FF	FF	DA	08	0B	0F	FF	FF	FF	FF
00070	85	E9	48	37	FF	FF	FF	FF	0E	60	27	50	FF	FF	FF	FF
00080	13	1C	1B	7E	FF	FF	FF	FF	40	8F	4C	C7	FF	FF	FF	FF
00090	DA	71	17	97	FF	FF	FF	FF	38	3B	8C	3F	FF	FF	FF	FF
000A0	45	AD	EE	71	FF	FF	FF	FF	00	49	36	C6	FF	FF	FF	FF
000B0	FC	D5	90	39	FF	FF	FF	FF	EA	DD	DC	A9	FF	FF	FF	FF
000C0	E7	2F	2F	5A												
000D0	31	3E	3C	83												
000E0	41	C9	67	A0												
000F0	C2	D4	A1	DE												
00100	9B	A4	1D	AB												
00110	F7	BE	49	B3												
00120	3D	E7	D9	E3												
00130	17	25	BC	68												
00140	6E	BB	23	B0												
00150	6C	30	80	67												
00160	78	48	84	7A												
00170	3C	08	1F	16												
00180	A1	B5	83	A9												
00190	D0	D4	21	DF												
001A0	32	2B	A9	A5	FF	FF	FF	FF	5E	F1	EF	7E	FF	FF	FF	FF
001B0	70	BD	0C	29	FF	FF	FF	FF	8D	98	5F	05	FF	FF	FF	FF
001C0	72	D1	7C	D6	FF	FF	FF	FF	EE	7A	AC	45	FF	FF	FF	FF
001D0	63	EB	6A	5B	FF	FF	FF	FF	49	3D	E7	0A	FF	FF	FF	FF
001E0	AB	D0	86	A5	FF	FF	FF	FF	A8	C5	61	62	FF	FF	FF	FF
001F0	F3	85	C2	DF	FF	FF	FF	FF	53	38	AB	9A	FF	FF	FF	FF
00200	23	4F	4F	78	FF	FF	FF	FF	D3	FB	96	3F	FF	FF	FF	FF
00210	66	B3	9D	1C	FF	FF	FF	FF	F2	B2	33	1E	FF	FF	FF	FF



Log

```

Write Data Flash uPD70F3526
Silicon signature: 11 00 18 10 00 01 44 37 30 46 33 35 32 36 20 20 FF FF 2F C
Connected: D70F3526
Data flash size: 32 KB + ID Tag size: 32 KB
DataFlash area Blank Checking
Erasing DataFlash
DataFlash area Erased
  
```

Write Data Flash uPD70F3526

Progress bar: []

```

Connected: D70F3526
Data flash size: 32 KB + ID Tag size: 32 KB
DataFlash area Blank Checking
Erasing DataFlash
DataFlash area Erased
  
```

Cancel

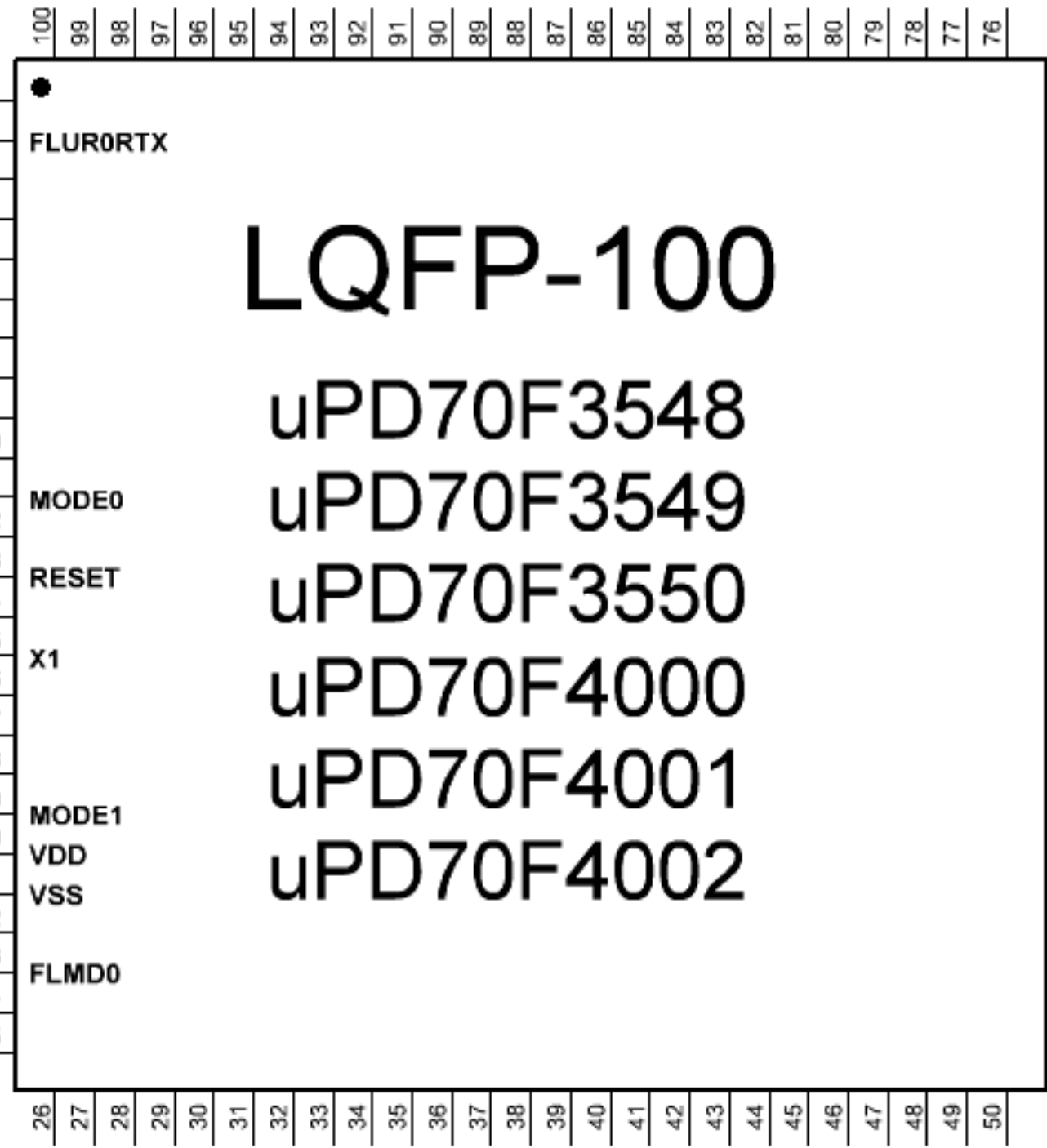
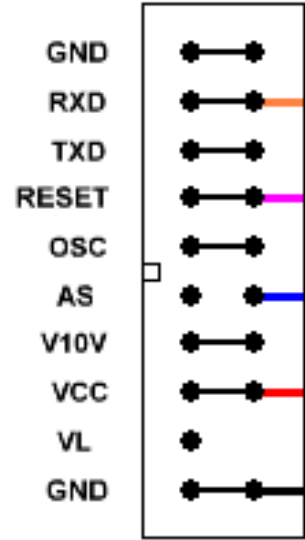
<http://pavel-pervomajsk.com>

```

?в'яяя
■?Уяяя
Iеяяя
.J!яяя
"Ь#яяя
2+@I яяя сп~яяя
pS.)яяяК_яяя
rC|Цяяяoz-Еяяя
слj[яяяI=з.яяя
«P†ГяяяЕЕабяяя
у...ВЯяяяS8«ьяяя
#00хяяяУы-?яяя
fik.яяятIз.яяя
  
```

<http://pavel-pervomaysk.com>

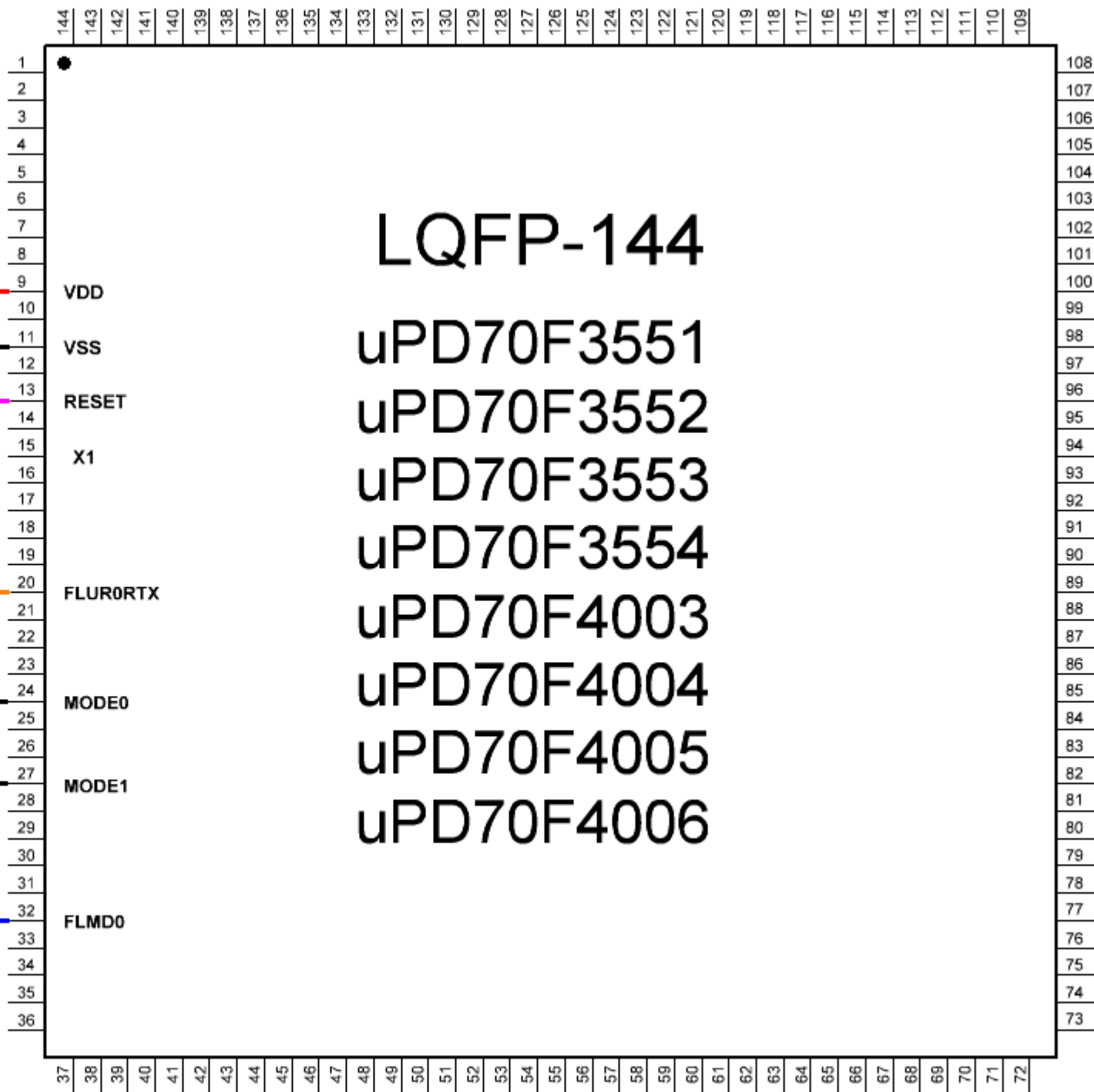
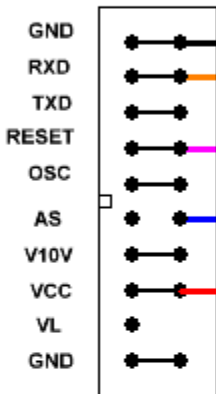
MT



LQFP-100

- uPD70F3548
- uPD70F3549
- uPD70F3550
- uPD70F4000
- uPD70F4001
- uPD70F4002

MT



LQFP-144

uPD70F3551

uPD70F3552

uPD70F3553

uPD70F3554

uPD70F4003

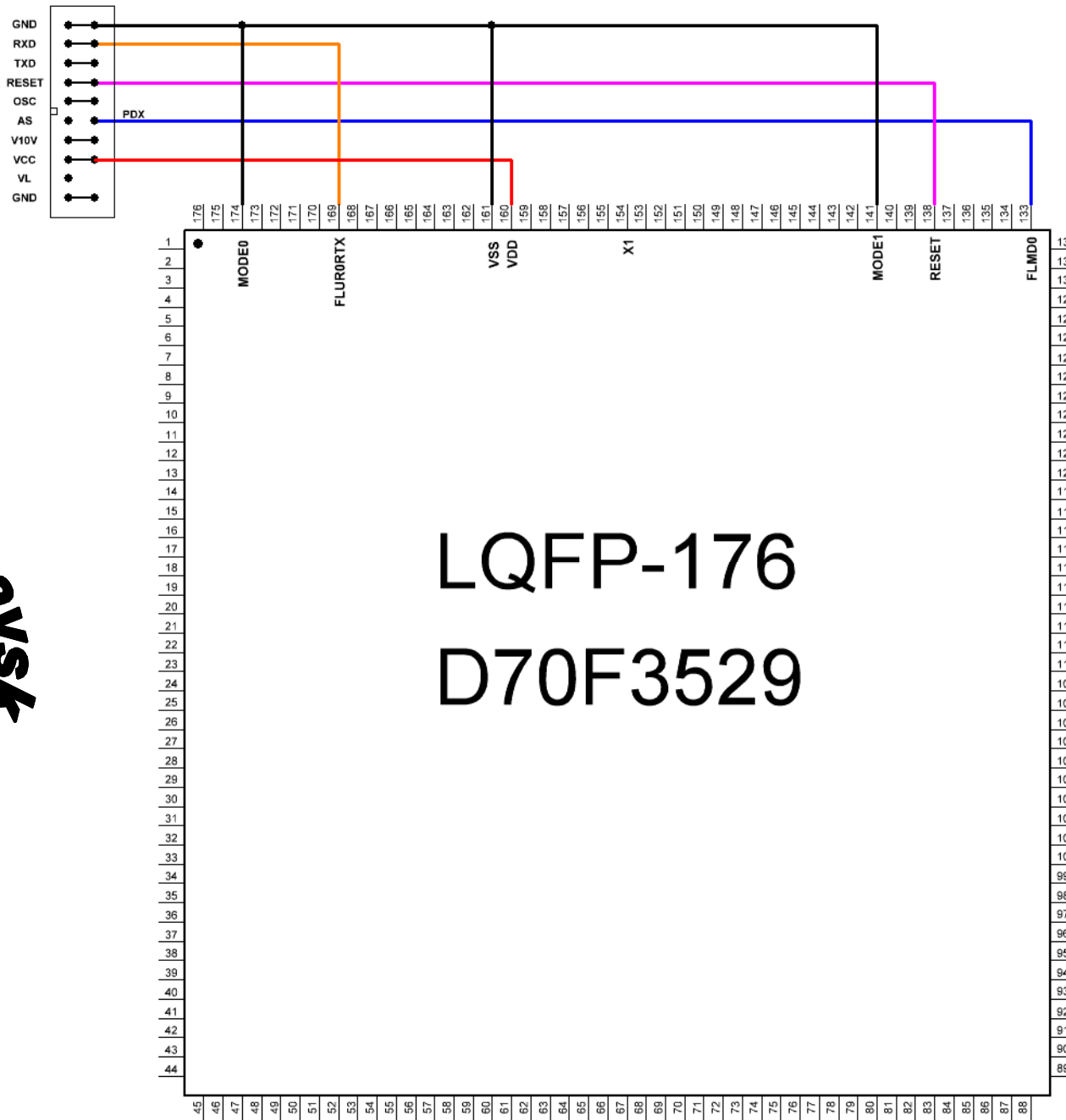
uPD70F4004

uPD70F4005

uPD70F4006

<http://pavel-pervomajsk.com>

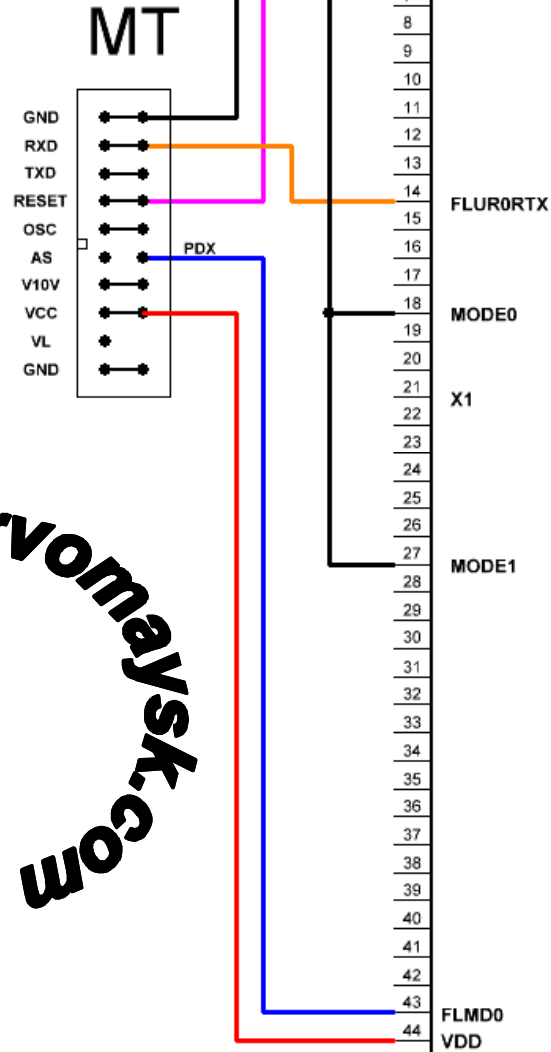
MT



<http://pavel-pervomaysk.com>

LQFP-176
D70F3529

<http://pavel-pervomajsk.com>



LQFP-176

- uPD70F3555
- uPD70F3556
- uPD70F3557
- uPD70F3558
- uPD70F3592
- uPD70F4007
- uPD70F4008
- uPD70F4009
- uPD70F4010

