

Audi A3 1997-1999 Dash Pinouts

Blue 32-pin connector

1 - → Terminal 15

2 - Right turn signal indicator

3 - Speedometer output 1

4 - Not used

5 - Fuel-gauge sender

6 - Airbag

7 - Terminal 31 (sensor earth)

8 - Coolant temperature

9 - Terminal 31 (load earth)

10 - Oil pressure switch

11 - Engine-speed signal

12 - Terminal 61

13 - Glow period warning lamp or CAT

14 - Rear fog light

15 - Not used

16 - Trailer turn signal indicator

17 - → Main beam

18 - Left turn signal indicator

19 - ABS

20 - Terminal 58d

21 - Driver's door contact

22 - Coolant low

23 - Terminal 30

24 - Terminal 31 (load earth)

25 - K-wire

26 - Right parking light

27 - Left parking light

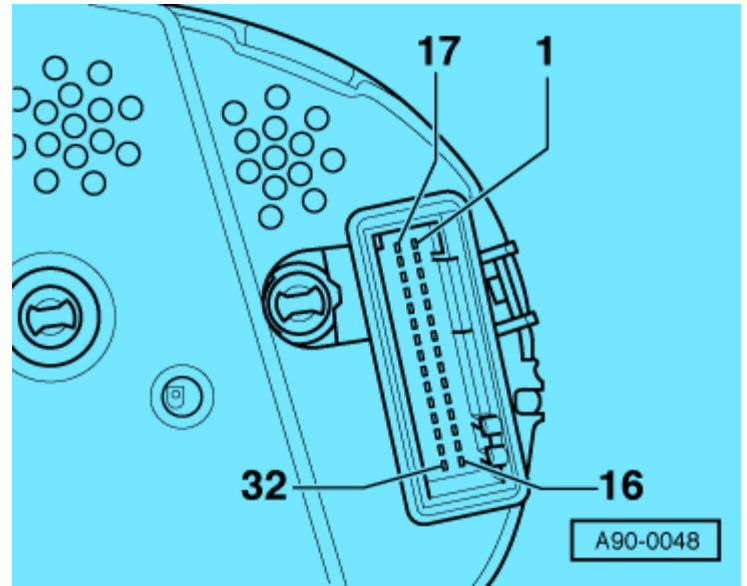
28 - Speedometer input

29 - Brake fluid level/pressure

30 - S-contact

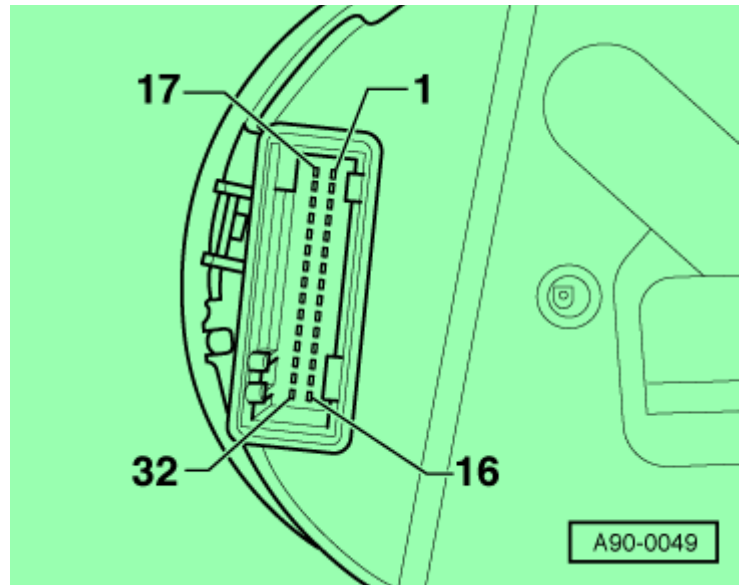
31 - Belt buckle

32 - TCS (not used at present)



Green 32-pin connector

- 1 - → Transponder screen
- 2 - Transponder coil
- 3 - Not used
- 4 - Not used
- 5 - W-wire
- 6 - Tailgate/boot lid (midline version only)
- 7 - Brake pad (not used at present)
- 8 - Input for external buzzer actuation (not used at present)
- 9 - Input for external gong actuation (not used at present)
- 10 - Tank warning output signal for engine control unit (not used at present)
- 11 - Standing time output
- 12 - Air conditioner shutoff
- 13 - Parking brake
- 14 - Tailgate/boot lid (highline version only)
- 15 - Side light
- 16 - Not used
- 17 - → Transponder coil
- 18 - Not used
- 19 - Not used
- 20 - Not used
- 21 - Not used
- 22 - Not used
- 23 - Not used
- 24 - Not used
- 25 - Not used
- 26 - Ambient temperature
- 27 - Not used
- 28 - Not used
- 29 - Terminal 58d (output signal from photosensor)
- 30 - Speedometer output 2
- 31 - Selector lever position display
- 32 - Not used



Red 20-pin connector

- 1 - → Consumption signal
- 2 - Not used
- 3 - Not used
- 4 - Not used
- 5 - Ambient temperature
- 6 - Selector lever position display
- 7 - Not used
- 8 - Not used
- 9 - Washer fluid
- 10 - Hydraulic pressure
- 11 - On-board computer/reset
- 12 - Clock signal for radio frequency display
- 13 - Data signal for radio frequency display
- 14 - On-board computer/left
- 15 - Enable signal for radio frequency display
- 16 - Reversing light/dipped beam (lamp check)
- 17 - Glow plug relay (with diesel engine only, undervoltage monitoring in dash panel insert is suppressed during glow period)
- 18 - On-board computer/right
- 19 - Brake light
- 20 - Not used

