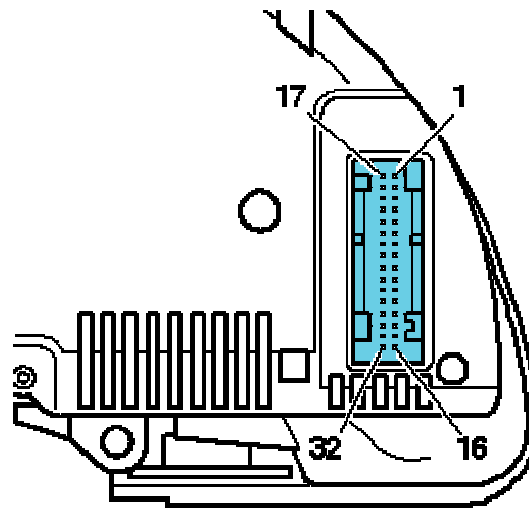


Audi A4 2001-2005 RB4

32-pin multi-pin connector, BLUE

1. Washer fluid low
2. Coolant level low
3. Fuel gauge sender
4. Coolant temperature
5. Control group 2 Navigation system
6. Control group 3 Navigation system
7. Control group x Telematics
8. Menu switch
9. Vacant
10. Bonnet switch
11. Fuel gauge sender 2
12. Menu switch (Out A)
13. Vacant
14. Vacant
15. Vacant
16. FDR/TCS (= ESP)
17. Convenience CAN High
18. Convenience CAN Low
19. Infotainment CAN Low
20. Infotainment CAN High
21. Ambient temp. (input)
22. S contact
23. Oil level / oil temperature
24. Self-levelling suspension
25. Menu switch (enter)
26. Vacant
27. Vacant
28. Menu switch (Out B)
29. Vacant
30. Transponder 2
31. Transponder 1
32. Terminal 31 (sensor)



A90-01 59

32-pin multi-pin connector GREEN

1. Terminal 58d
2. Terminal 30 (+12v Battery)
3. Terminal 15 (+12v Ignition)
4. Vacant
5. Speedometer (input)
6. Speedometer (output 2)
7. Airbag (inverted)
8. Turn signal (right-side)
9. Brake fluid low
10. Turn signal (left-side)
11. Turn signal (trailer)
12. CAN drive Low
13. CAN drive High
14. Terminal 61/charge warning
15. Vacant
16. Oil pressure 2
17. Terminal 58s
18. Terminal 31 load (-12v earth)
19. Terminal 31 load (-12v earth)
20. Vacant
21. Speedometer (output 1)
22. ABS warning
23. K wire (k-line OBD #7)
24. CAN drive (display)
25. Tank flap switch
26. CAN diagnosis Low
27. CAN diagnosis (display)
28. CAN diagnosis High
29. HRC (headlight range control)
30. Belt buckle
31. External buzzer
32. Brake pad wear

