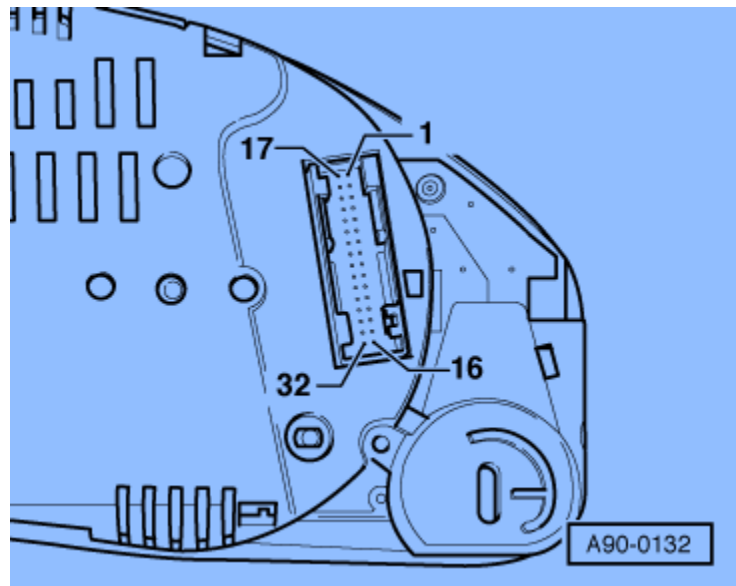


Audi A6 2000-2001 dash pinouts

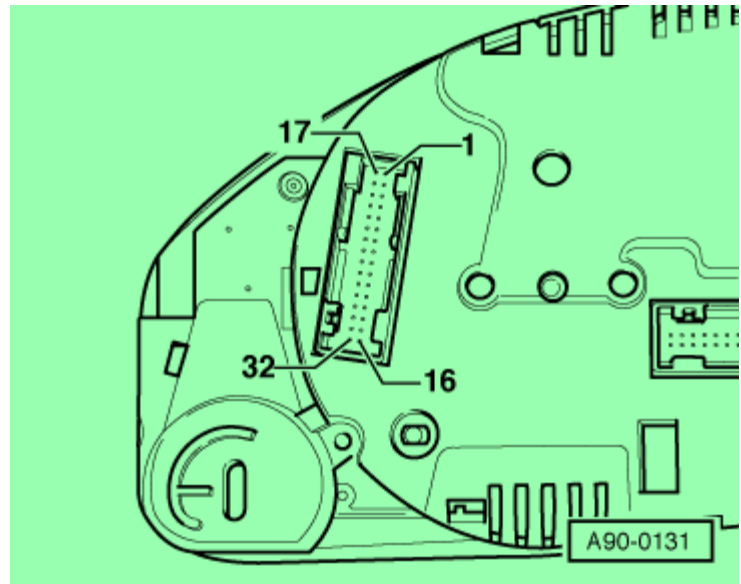
32-pin blue connector

1. Terminal 15
2. Brake lining wear
3. Speedometer output 1
4. Not used
5. Fuel gauge sender
6. Tank warning OBD 2
7. Terminal 31 (sensor earth)
8. Coolant temperature
9. Terminal 31 (load earth)
10. Oil pressure 2 (high)
11. Engine speed signal
12. Air conditioner shutoff
13. Electronic throttle/glow period warning lamp
14. Adaptive suspension
15. Terminal 58d
16. Trailer turn signal
17. Main beam
18. Left turn signal
19. Not used
20. Terminal 58s
21. Driver's door contact
22. Low coolant
23. Terminal 30
24. Terminal 31 (load earth)
25. Consumption signal
26. Right parking light
27. Left parking light
28. Speedometer input
29. Brake
30. S-contact
31. Speedometer output 2
32. ESP/TCS



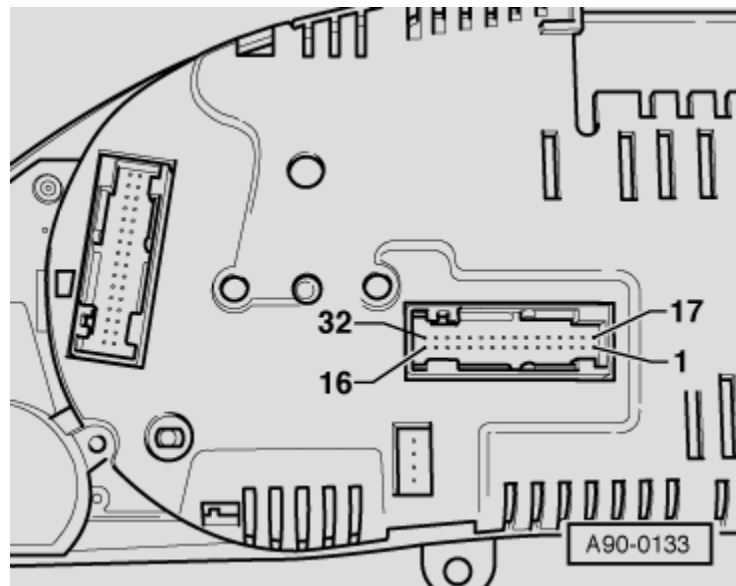
32-pin green connector

1. Not used
2. Transponder 1
3. Not used
4. Not used
5. W-wire
6. Not used
7. Right turn signal
8. External buzzer
9. External gong
10. Airbag
11. Standing time output
12. Terminal 61
13. Parking brake
14. CHECK
15. Oil level/oil temperature
16. Not used
17. Transponder 2
18. CAN bus High (drive system)
19. CAN bus Low (drive system)
20. Not used
21. ABS
22. CAN bus High (convenience)
23. CAN bus Low (convenience)
24. Not used
25. Bonnet
26. Filler neck compartment lid
27. Belt buckle
28. K-wire
29. Ambient temperature input
30. Terminal 58de
31. Selector lever position display
32. Headlight range control



32-pin grey connector

1. Menu control switch (menu)
2. Menu control switch (out A)
3. Menu control switch (out B)
4. Menu control switch (enter)
5. CAN bus High (display)
6. CAN bus Low (display)
7. Not used
8. Not used
9. Not used
10. Not used
11. Enable
12. Clock
13. Data
14. Brake light
15. Washer fluid level
16. Tail light/dipped beam (bulb check)
17. On-board computer, left
18. Driver information system, right
19. Driver information system reset
20. Auxiliary heater radio remote control input
21. Summer /winter switching
22. Auxiliary heater on
23. Control group 1 Navigation
24. Control group 2 Navigation
25. Control group Telematics
26. Not used
27. Not used
28. Not used
29. Not used
30. Not used
31. Not used
32. Not used



4-pin black connector for radio controlled clock

1. Radio controlled clock signal (data)
2. Radio controlled clock 5V
3. Not used
4. Radio controlled clock earth

