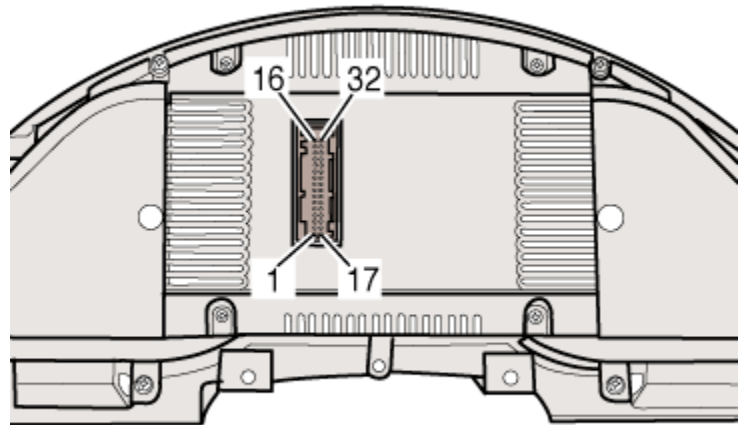


# Audi A6 2005-2009 dash pinouts

## Multi-pin connector, 32-pin, grey

1. Not used
2. Not used
3. CAN bus wire Low (to data bus diagnostic interface -J533-)
4. CAN bus wire High (to data bus diagnostic interface -J533-)
5. Terminal 31, sender earth
6. Fuel gauge sender -G-
7. Fuel gauge sender 2 -G169-
8. Switch panel
9. Ambient temperature
10. Not used
11. Not used
12. Coolant level low
13. Washer fluid low
14. Terminal 31
15. Terminal 30
16. Terminal 58s
17. Terminal 58d
18. Oil pressure switch
19. Brake fluid low
20. Check
21. Not used
22. EPB (electronic parking brake)
23. Radio clock 5 V
24. Radio-controlled clock signal
25. Oil level
26. Brake pad
27. External buzzer
28. Prompt wire (to data bus diagnostic interface -J533-)
29. Terminal 31
30. Terminal 31
31. Terminal 30
32. Terminal 30



A90-10010