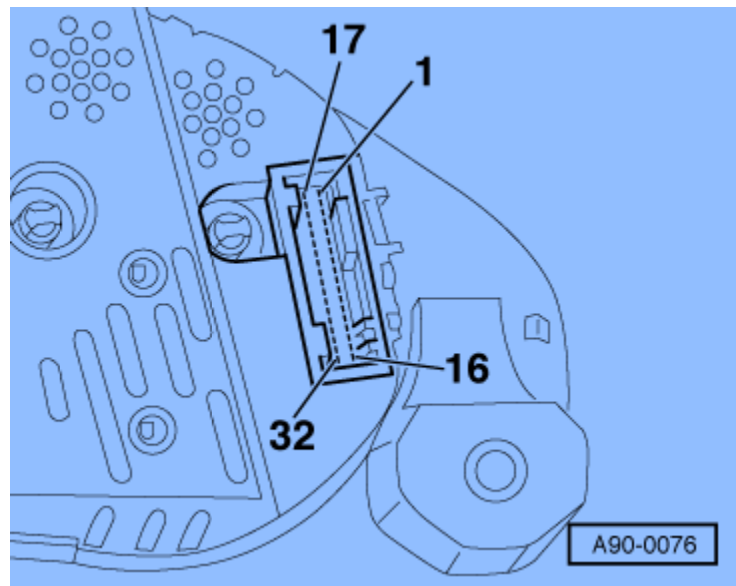


Audi A6 V6 1999 Dash Pinouts

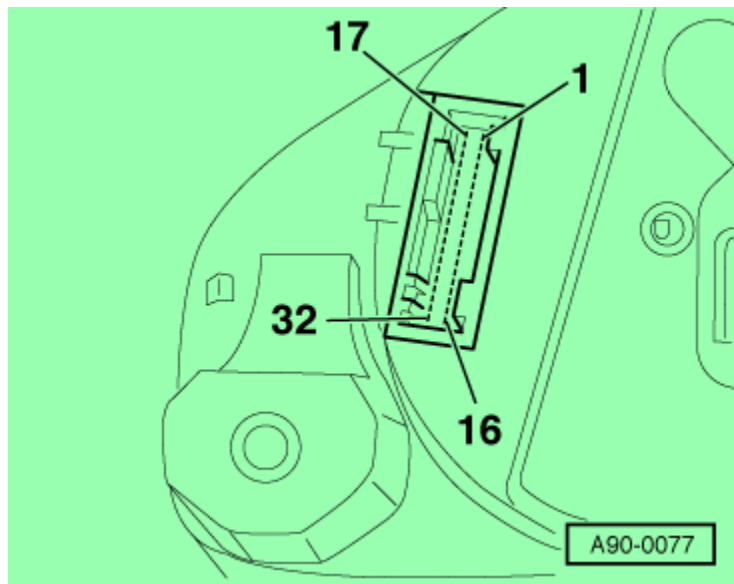
32-pin blue connector

1. Terminal 15
2. Right turn signal
3. Speedometer output 1
4. Not used
5. Fuel gauge sender
6. Airbag
7. Terminal 31 (sensor earth)
8. Coolant temperature
9. Terminal 31 (load earth)
10. Oil pressure switch
11. Engine speed signal
12. Terminal 61
13. Glow period warning lamp
14. Adaptive suspension
15. Terminal 58d
16. Trailer turn signal/engine electrics malfunction
17. Main beam
18. Left turn signal
19. ABS
20. Terminal 58s
21. Driver's door contact
22. Low coolant
23. Terminal 30
24. Terminal 31 (load earth)
25. K-wire
26. Right parking light
27. Left parking light
28. Speedometer input
29. Brake fluid level/pressure
30. S-contact
31. Belt buckle
32. ESP



32-pin green connector

1. Not used
2. Transponder 1
3. Not used
4. Immobilizer
5. W-wire
6. Rear lid (Midline version only)
7. Brake lining (Highline version only)
8. Not used
9. Not used
10. Tank warning (6-cylinder TDI only)
11. Standing time output
12. Air conditioner shutoff
13. Parking brake
14. Electronic throttle
15. Side light
16. Not used
17. Transponder 2
18. Not used
19. Not used
20. Not used
21. Oil temperature
22. Not used
23. Not used
24. Not used
25. Not used
26. Not used
27. Not used
28. Not used
29. Terminal 58d
30. Speedometer output 2
31. Not used
32. Not used



20-pin red connector

1. Consumption signal
2. Not used
3. Not used
4. Not used
5. Ambient temperature
6. Selector lever position indicator
7. Not used
8. Not used
9. Low washer fluid
10. Hydraulic pressure
11. Driver information system reset
12. Clock signal for radio frequency display
13. Data signal for radio frequency display
14. On-board computer, left
15. Enable signal for radio frequency display
16. Tail light/dipped beam (bulb check)
17. Glow plug relay (TDI)
18. Driver information system, right
19. Brake light
20. Not used

