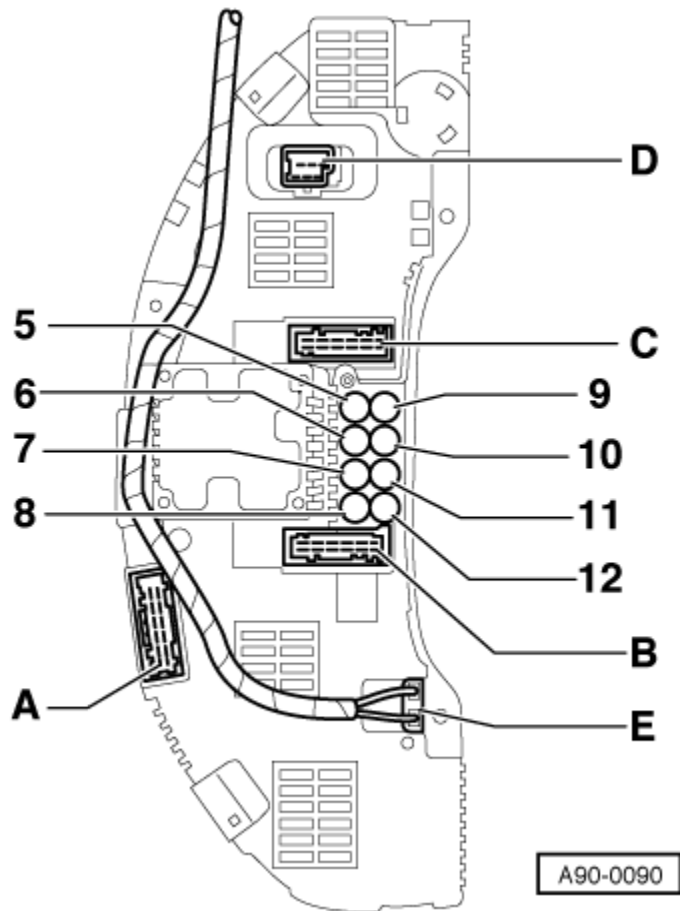
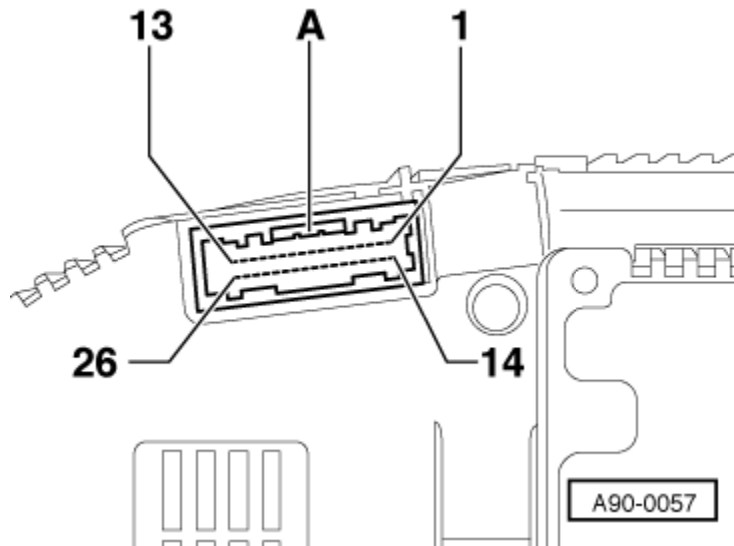


Audi A8 1997-2002 Dash pinouts

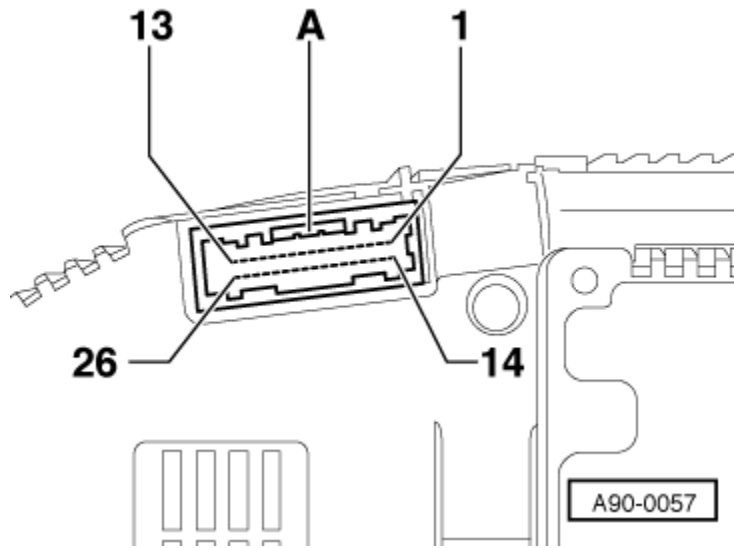


- A - Multi-pin connector for basic functions 26-pin, yellow
- B - Multi-pin connector for basic functions 26-pin, red
- C - Multi-pin connector for basic functions 26-pin, green
- D - Multi-pin connector for power supply, 6-pin, white
- E - Multi-pin connector for radio clock, 4-pin, white

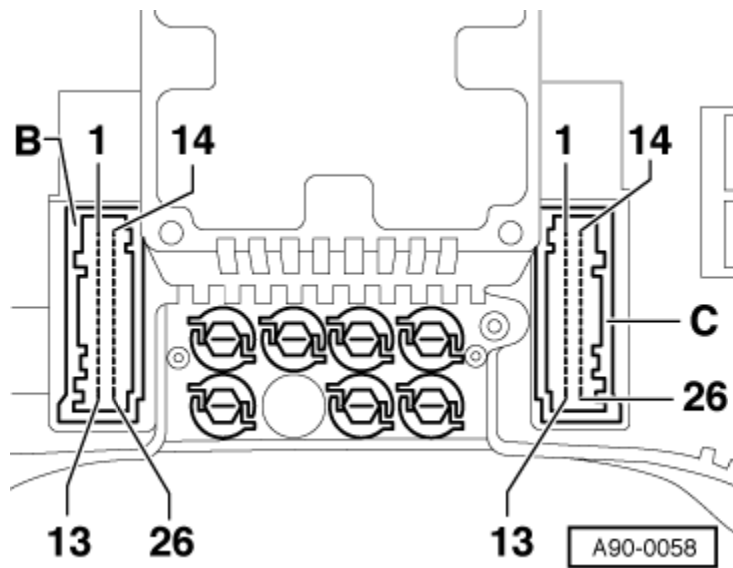


→ Multi-pin connector for basic functions, 26-pin, yellow -A

- 1 - Tank sender signal
- 2 - Tank sender earth
- 3 - Door contact, driver's side
- 4 - Ignition key terminal 86s
- 5 - Hydraulic system/brake fluid level
- 6 - Belt switch
- 7 - Washer fluid level
- 8 - Right-hand parking light
- 9 - On-board computer, left rocker
- 10 - On-board computer, right rocker
- 11 - On-board computer reset
- 12 - Temperature sender earth
- 13 - Tank sender (reserve fuel contact)

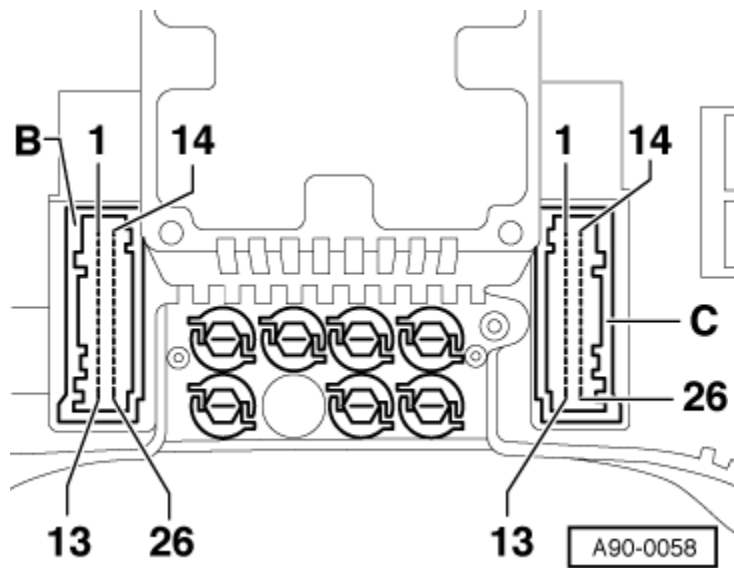


- 14 - Ambient temperature sensor/air conditioner
- 15 - Diesel (glow plug relay)
- 16 - (Buzzer "ON")
- 17 - Temperature sender
- 18 - Cooling water level
- 19 - Brake light
- 20 - Reversing light/dipped beam
- 21 - Left-hand parking light
- 22 - Fan, speed 3
- 23 - Oil temperature (earth)
- 24 - Oil temperature
- 25 - Ambient temperature sensor earth
- 26 - Air-conditioner compressor "OFF"

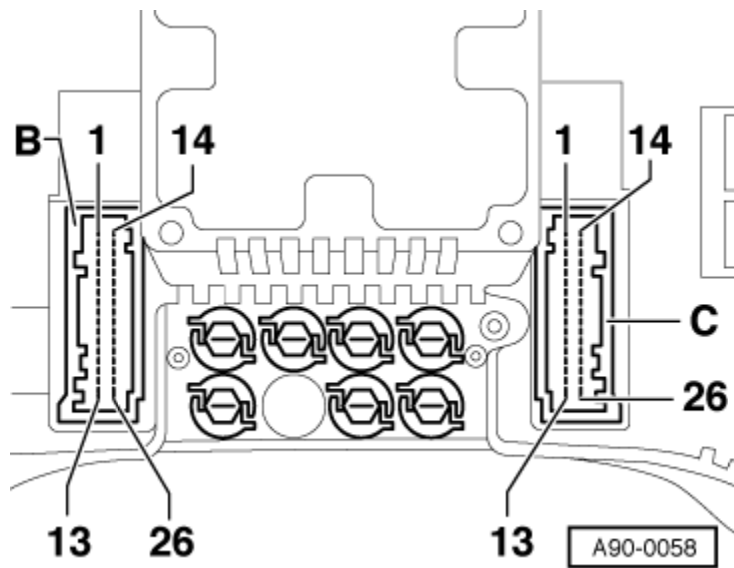


→ Multi-pin connector for basic functions 26-pin, red-B

- 1 - Tailgate
- 2 - Door contact, passenger's side
- 3 - Door contact, rear left
- 4 - Door contact, rear right
- 5 - Tank level (for OBD II)
- 6 - Vacant
- 7 - Oil pressure 1.2 bar
- 8 - Vacant
- 9 - Gear indicator
- 10 - Vacant
- 11 - Auxiliary heater (radio input)
- 12 - Hydraulic system pressure
- 13 - Service life signal as of ABS system 5.3
vacant with ABS system 5.0

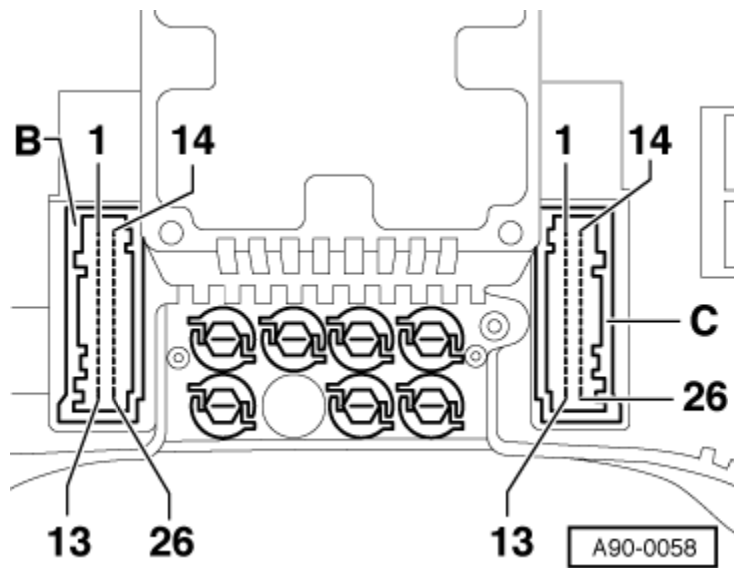


- 14 - Navigation enable
- 15 - Navigation clock
- 16 - Navigation data
- 17 - Summer/winter
- 18 - Rev counter signal
- 19 - Consumption signal
- 20 - Auxiliary heater
- 21 - Vacant
- 22 - Speed signal (output 2)
- 23 - Speed signal (output 1)
- 24 - Speed signal (sender)
- 25 - Brake pad
- 26 - K wire

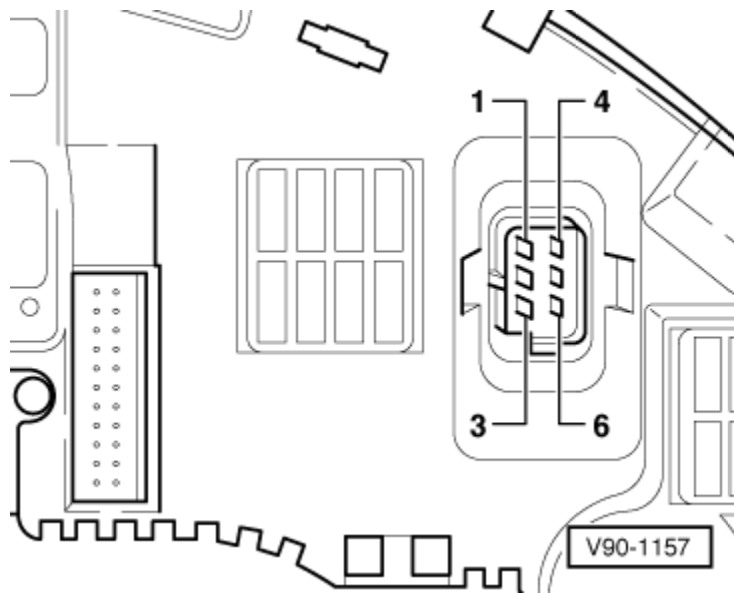


→ Multi-pin connector for basic functions 26-pin, green - C

- 1 - Vacant
- 2 - Vacant
- 3 - Vacant
- 4 - Vacant
- 5 - Vacant
- 6 - Airbag
- 7 - ABS
- 8 - Door lock (output)
- 9 - Left turn signal
- 10 - Vacant
- 11 - Vacant
- 12 - Vacant
- 13 - Vacant

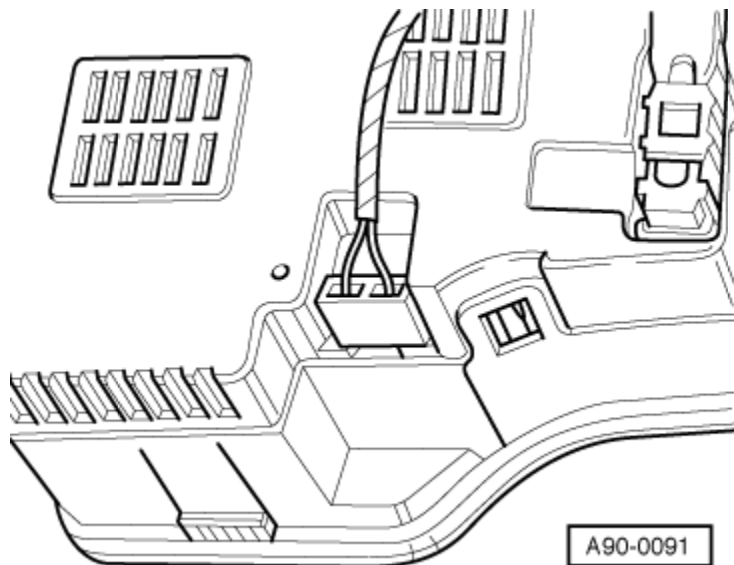


- 14 - Vacant
- 15 - TCS
- 16 - OBD II
- 17 - Trailer turn signal
- 18 - CAT/diesel
- 19 - Main beam
- 20 - Parking brake and brake warning (for brake fluid pressure and level)
- 21 - Charge indicator
- 22 - Right turn signal
- 23 - Vacant
- 24 - Immobilizer
- 25 - Airbag (active)
- 26 - ABS (Sila)



→ Multi-pin connector for power supply, 6-pin, white - D

- 1 - Terminal 30
- 2 - Terminal 31
- 3 - Lighting (3W)
- 4 - Lighting, console (40W)
- 5 - Terminal 58
- 6 - Terminal 15



→ Multi-pin connector for radio clock, 4-pin, - E

- 1 - Radio clock signal

- 2 - Radio clock 5V
- 3 - Vacant
- 4 - Radio clock earth