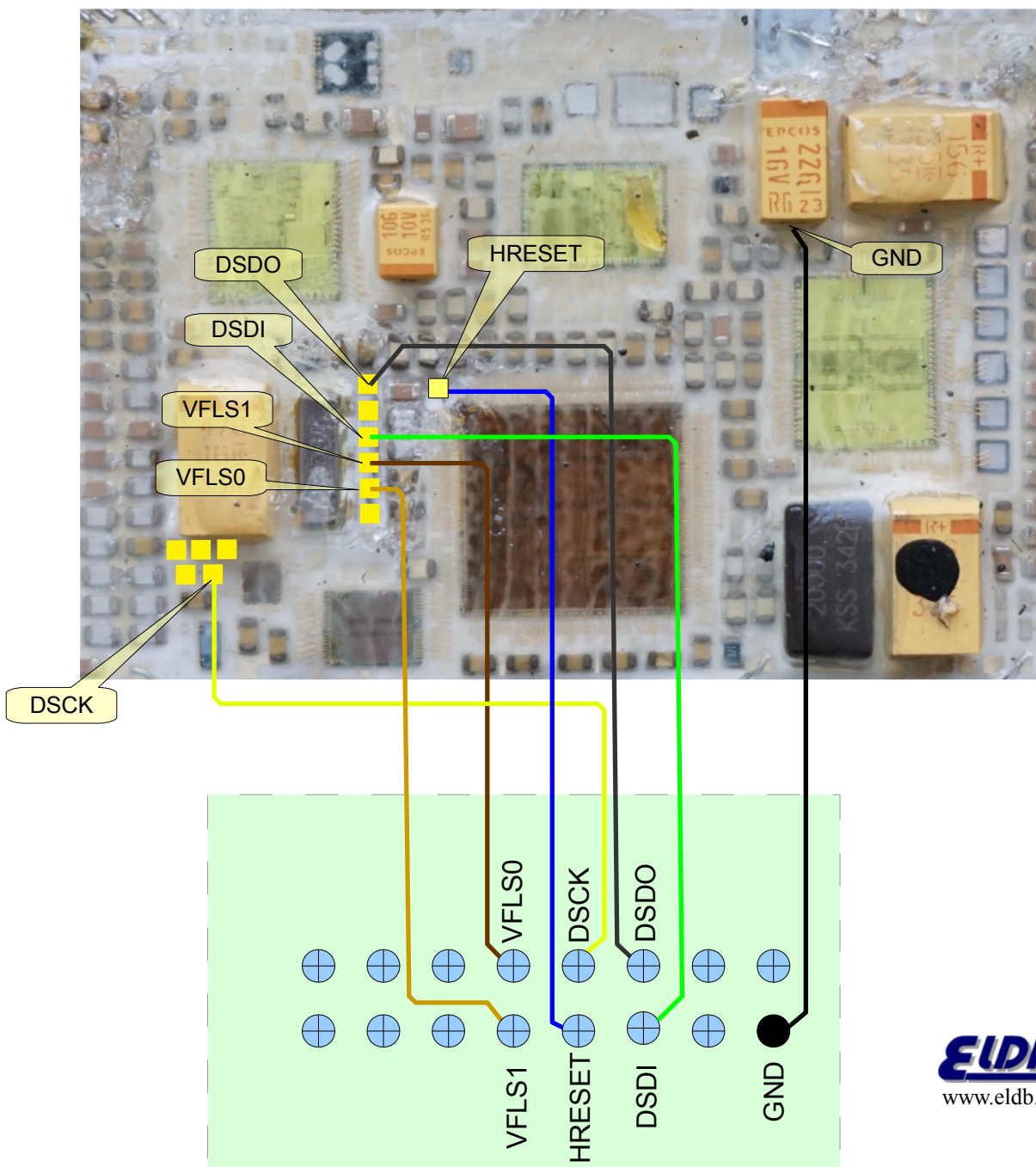
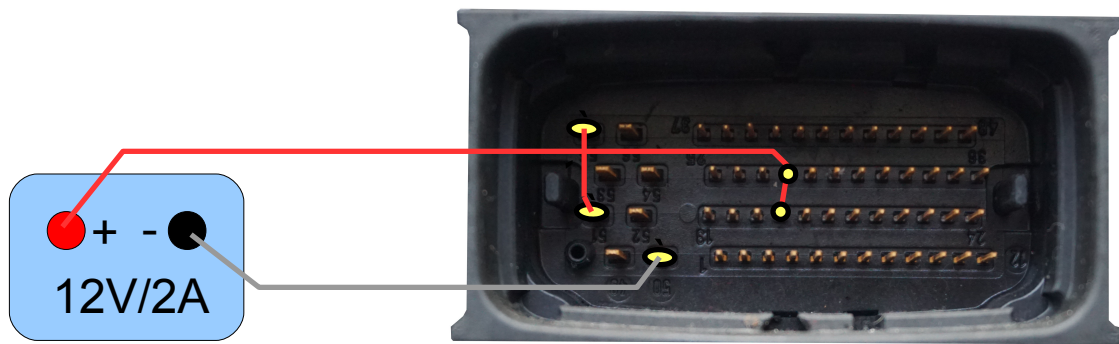


Opel diesel fuel pump PSG16

Rev.A
2018.12.07



*All wires about 12cm length