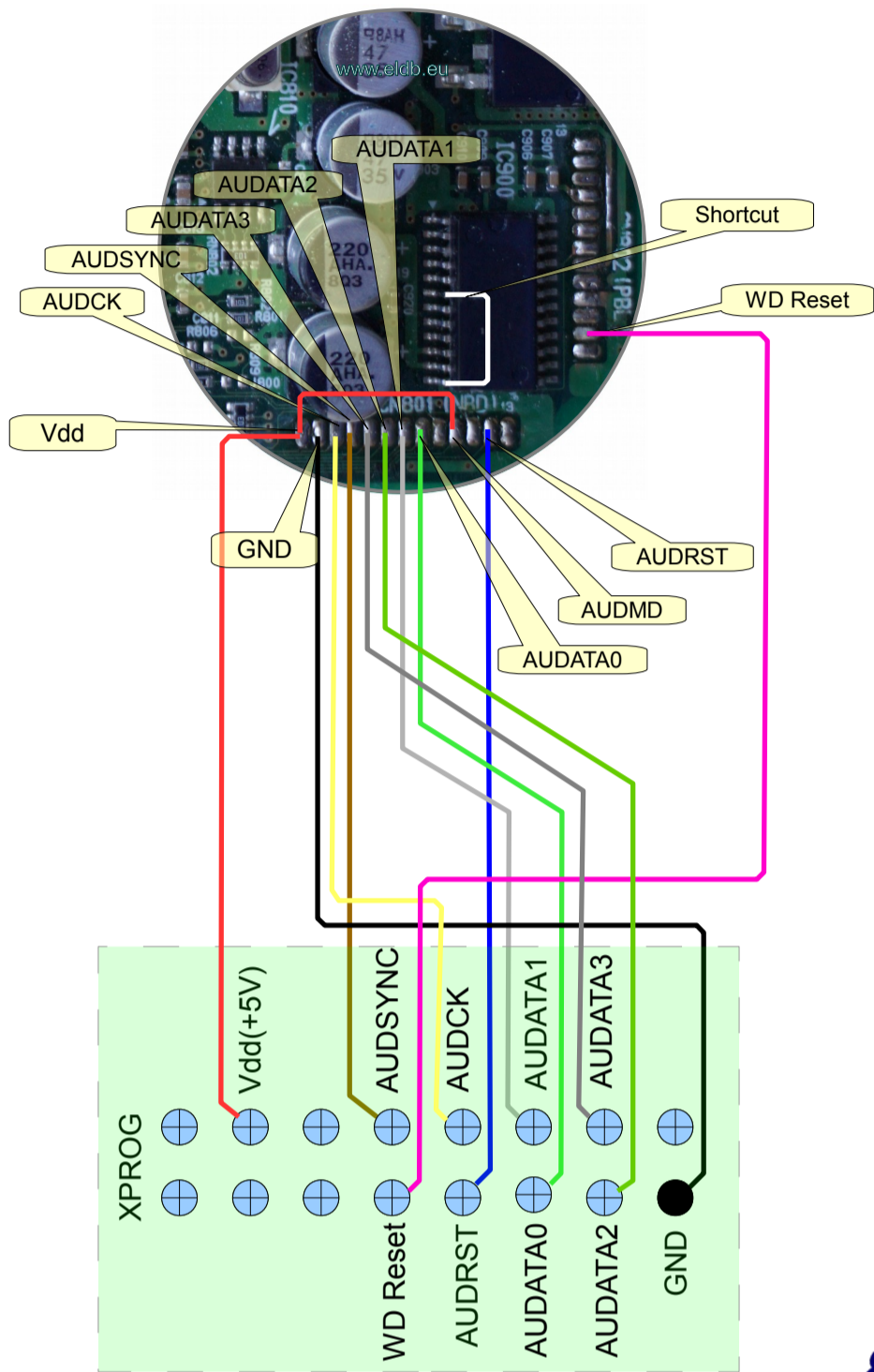
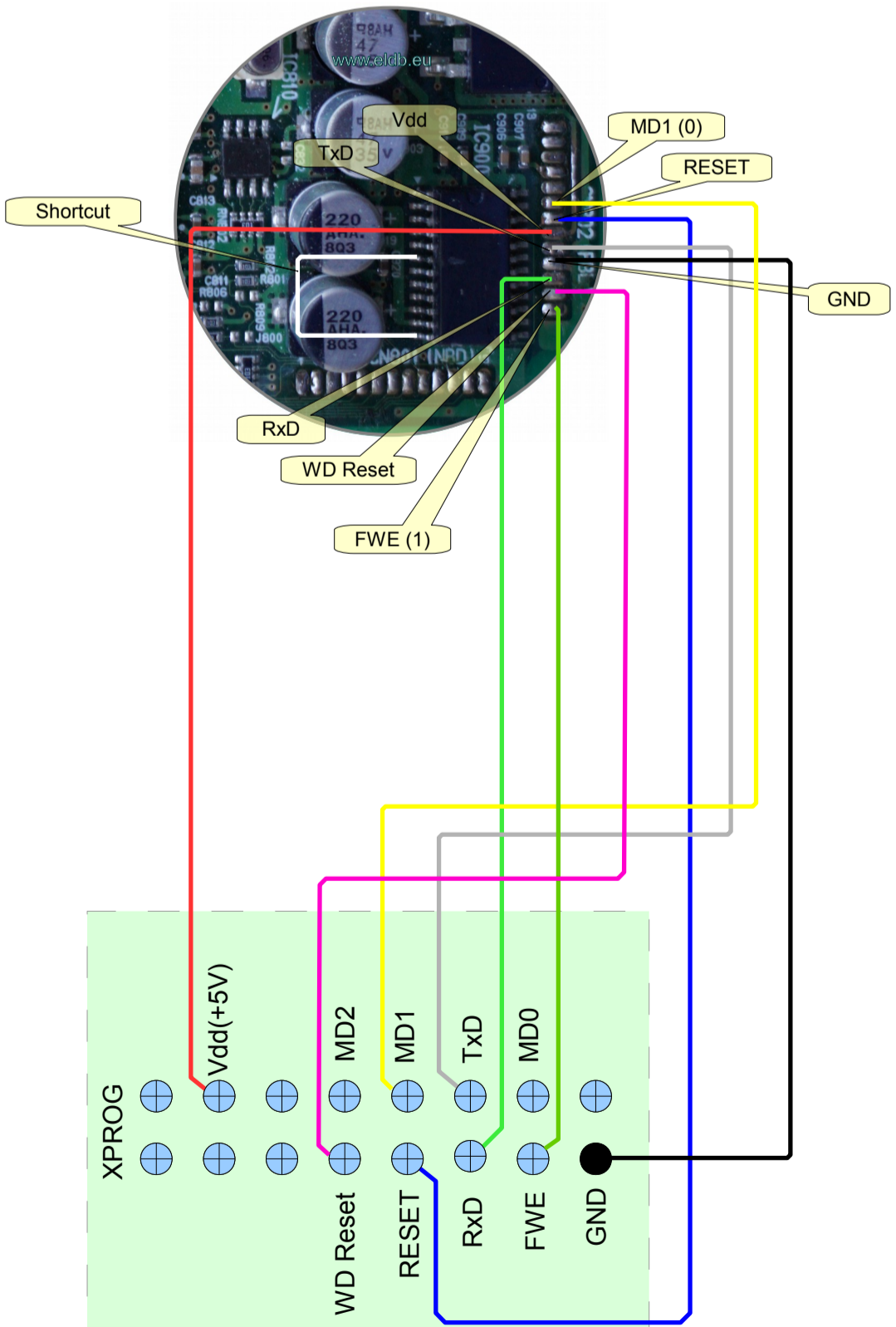


READ mode connections



*All wires about 12cm length

WRITE mode connections



*All wires about 12cm length